

**BAYLINER<sup>®</sup>**

215 Deck Boat

Owner's Manual *Supplement*



**Engine Serial Number:** \_\_\_\_\_

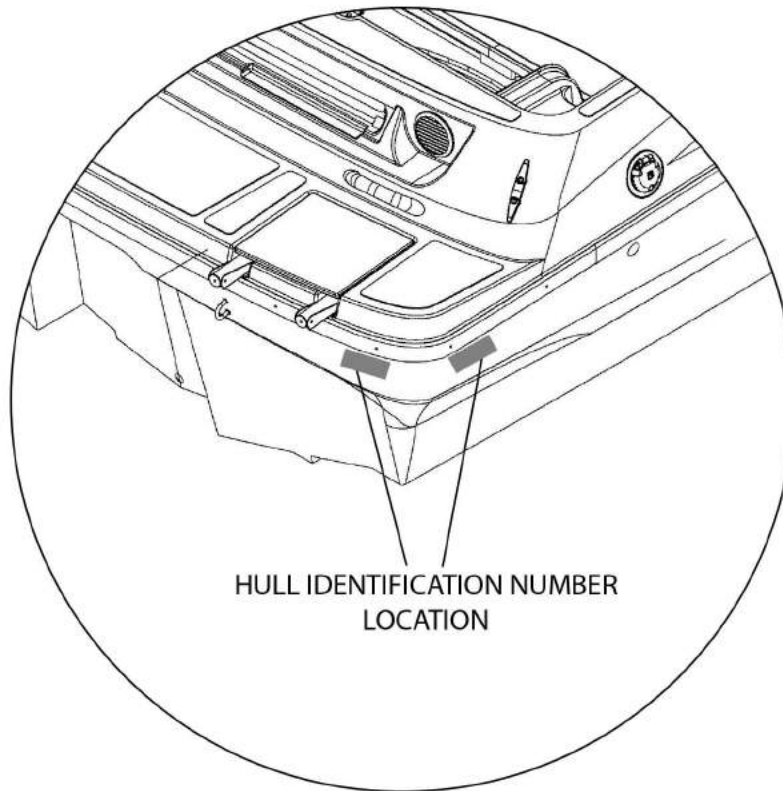
**Hull Identification Number:** \_\_\_\_\_

### Hull Identification Number

The Hull Identification Number (HIN) will be located either on the starboard side of the transom or on the aft, starboard side of the gunwale and is your boat's most important identifying factor.

Record the HIN (and the engine serial number) in the space provided above.

This number must be included in all correspondence and orders.



215 Deck Boat

**© 2013 Bayliner Technical Publications. All rights reserved.**

No part of this publication may be reproduced, stored in any retrieval system, or transmitted in any form by any means, electronic, mechanical, photocopying, recording or otherwise, without prior written permission of Bayliner.

Printed in the United States of America.

### General Notes

The material in this document is for information only and is subject to change without notice. While reasonable efforts have been made in the preparation of this document to assure its accuracy, Bayliner assumes no liability resulting from errors or omissions in this document, or from the use of information contained herein.

Due to our commitment to product improvement, Bayliner reserves the right to make changes in the product design, specifications, and equipment at any time without notice or obligation. Illustrations and/or photos may show optional equipment.

All Bayliner products meet or exceed USCG (United States Coast Guard) and/or NMMA (National Marine Manufacturers Association) construction standards. Manufactured with 1,1,1 Trichloroethane, a substance which harms public health and environment during the manufacturing process by destroying ozone in the upper atmosphere.

### Proprietary Rights

This document discloses subject matter in which Bayliner has proprietary rights. The information and design disclosed herein were originated by and are the property of Bayliner. Neither receipt nor possession thereof confers or transfers any right to reproduce, copy, alter or disclose the document or any part thereof, any information contained therein, or to construct boats or any item from it, except by written permission from or written agreement with Bayliner. This document is to be returned upon request to Bayliner.

# Contents

|  |           |
|--|-----------|
| <b>Chapter 1: Welcome Aboard!</b> .....                        | <b>1</b>  |
| Dealer Service .....   | 1         |
| Warranty Information .....                                     | 1         |
| Boating Experience .....                                       | 1         |
| Manufacturer's Certification .....                             | 2         |
| International Requirements .....                               | 2         |
| Engine, Accessory Guidelines and Literature .....              | 3         |
| Qualified Maintenance .....                                    | 4         |
| Special Care for Moored Boats .....                            | 4         |
| Safety Standards .....   | 5         |
| Carbon Monoxide (CO) .....                                     | 6         |
| <i>CO Facts</i> .....  | 6         |
| <i>Factors that Increase the Effects of CO Poisoning</i> ..... | 6         |
| <i>Where and How CO Can Accumulate</i> .....                   | 7         |
| <i>How to Protect Yourself and Others From CO</i> .....        | 7         |
| <i>CO Checklists</i> .....                                     | 8         |
| <i>More Information</i> .....                                  | 8         |
| <b>Chapter 2: Locations</b> .....                              | <b>9</b>  |
| Dimensions and Specifications .....                            | 9         |
| Stability .....  | 10        |
| Deck Occupation Areas .....                                    | 11        |
| Load Capacity .....  | 12        |
| Passenger Locations .....                                      | 13        |
| Design Category .....  | 14        |
| Warning Labels .....   | 15        |
| Helm Warning Labels .....                                      | 16        |
| Exterior Views .....   | 17        |
| <i>Hull Views</i> .....  | 17        |
| <i>Deck View</i> .....   | 18        |
| <i>Storage View</i> .....                                      | 19        |
| <i>Helm View</i> .....   | 20        |
| Component Locations .....                                      | 21        |
| <i>Bilge Components</i> .....                                  | 21        |
| <b>Chapter 3: Propulsion and Related Systems</b> .....         | <b>22</b> |
| Engine .....   | 22        |
| Bilge Blower System .....                                      | 23        |
| Gasoline Fuel System .....                                     | 24        |
| Quick Oil Drain System .....                                   | 26        |
| Chapter 4: Controls and Gauges .....                           | 27        |
| Steering .....   | 27        |
| Shift/Throttle Controls .....                                  | 27        |
| Power Trim and Tilt .....                                      | 27        |
| Gauges .....   | 27        |

|   |           |
|---|-----------|
| <b>Chapter 5: Navigation Equipment .....</b>                | <b>28</b> |
| Depth Finder (If Equipped).....                             | 28        |
| <b>Chapter 6: Plumbing .....</b>                            | <b>29</b> |
| Bilge Pump.....   | 29        |
| <i>Bilge Pump Testing</i> .....                             | 30        |
| Drain System.....   | 30        |
| <i>Deck Drains</i> .....                                    | 30        |
| Livewell System (If Equipped).....                          | 31        |
| Freshwater System (If Equipped) .....                       | 32        |
| Portable Toilet (If Equipped) .....                         | 33        |
| <b>Chapter 7: Deck Equipment .....</b>                      | <b>34</b> |
| Cleats and Bow/Stern Eyes.....                              | 34        |
| Bow Mount Trolling Motor (If Equipped).....                 | 34        |
| Ski-Tow Ring.....   | 34        |
| Ski-Tow Tower (If Equipped).....                            | 35        |
| Folding the Ski-Tow Tower .....                             | 36        |
| Canvas (If Equipped) .....                                  | 37        |
| <i>Canvas Care</i> .....                                    | 42        |
| <b>Chapter 8: Entertainment System.....</b>                 | <b>43</b> |
| Audio System (If Equipped) .....                            | 43        |
| <b>Chapter 9: Convertible Seats, Beds, and Tables .....</b> | <b>44</b> |
| Sleeper Seats (If Equipped) .....                           | 44        |
| <i>Operating Positions</i> .....                            | 44        |
| <i>Lounge Positions</i> .....                               | 44        |
| Sunlounge to Transom Seating Conversion.....                | 45        |
| Bow Filler Cushion (If Equipped) .....                      | 46        |
| Removable Fishing Seat (If Equipped).....                   | 47        |
| <b>Chapter 10: Lights .....</b>                             | <b>48</b> |
| Care and Maintenance.....                                   | 48        |
| Interior and Exterior Lights .....                          | 48        |
| Navigation Lights.....                                      | 48        |
| Chapter 11: Electrical System.....                          | 49        |
| 12-Volt DC System .....                                     | 50        |
| <i>Battery</i> .....  | 50        |
| <i>Fuses</i> .....  | 50        |
| <i>12-Volt DC Accessory Outlet (If Equipped)</i> .....      | 50        |
| <i>Alternator</i> .....                                     | 50        |
| <i>DC Wiring Schematics</i> .....                           | 51        |
| Electrical Routings.....                                    | 55        |
| <i>12-Volt DC Deck Harness</i> .....                        | 55        |
| <i>Battery Cable Routings</i> .....                         | 56        |
| <i>Trolling Motor (If Equipped)</i> .....                   | 56        |

## Hazard Boxes and Symbols

The hazard boxes and symbols shown below are used throughout this supplement to call attention to potentially dangerous situations which could lead to either personal injury or product damage. Read all warnings carefully and follow all safety instructions.

 **DANGER**

**DANGER** - Immediate hazards which **WILL** result in severe personal injury or death if the warning is ignored.

 **WARNING**

**WARNING** - Hazards or unsafe practices which **MAY** result in severe personal injury or death if the warning is ignored.

 **CAUTION**

**CAUTION** - Hazards or unsafe practices which **COULD** result in minor injury, product or property damage if the warning is ignored.

**NOTICE**

Information which is important to proper operation or maintenance, but is not hazard related.

## Chapter 1: Welcome Aboard!

This *Owner's Manual Supplement* provides specific information about your boat that is not covered in the *Sport Boat Owner's Manual*.

- The *Sport Boat Owner's Manual* contains general information about safe operating practices, general boating regulations, and general maintenance techniques.
- Before using your boat, study this *Owner's Manual Supplement*, the *Sport Boat Owner's Manual*, and all engine and accessory literature carefully. If similar instructions are found in more than one manual, always refer to the specific manufacturer's manual (such as the engine manual) for the most complete and accurate information.
- Keep this *Owner's Manual Supplement* and the *Sport Boat Owner's Manual* on your boat in a secure, yet readily available place.

### Dealer Service

Your dealer is your key to service.

- Ask your dealer to explain all systems before taking delivery of your boat.
- Contact your dealer if you have any problems with your new boat.
- If your dealer cannot help, call our customer service hotline: 865-971-6311.
- Bayliner advises that all rigging, installation and prep work on any Bayliner product be done by an authorized dealer at the authorized dealer's location.
- Buy replacement parts from any authorized Bayliner dealer.
- You can access additional information by logging on to <http://www.bayliner.com>.

### Warranty Information

- Bayliner offers a Limited Warranty on each new Bayliner purchased through an authorized Bayliner dealer.
- A copy of the Limited Warranty was included in your owner's packet.
- If you did not get a copy of the Limited Warranty, please contact your Bayliner dealer or call 865-971-6311 for a copy.

### Boating Experience



**WARNING**

**CONTROL HAZARD!**

An experienced operator **MUST** be in control of your boat at ALL times.  
Do **NOT** operate your boat while under the influence of alcohol or drugs.

If this is your first boat or if you are changing to a type of boat you are not familiar with, for your own comfort and safety, get handling and operating experience before assuming command of your boat. Take one of the boating safety classes offered by the United States Power Squadrons® or the United States Coast Guard Auxiliary. For more course information, including dates and locations of upcoming classes, contact the organizations directly:

- U.S. Power Squadrons: 1-888-FOR-USPS (1-888-367-8777) or [www.usps.org](http://www.usps.org)
- U.S. Coast Guard Auxiliary: 1-800-368-5647 or [www.cgaux.org](http://www.cgaux.org)
- In Canada, for CPS courses: 1-888-CPS-BOAT

Outside the United States, your selling dealer, national sailing federation, or local boat club can advise you of local sea schools or competent instructors.

## Manufacturer's Certification

As a boat manufacturer, Bayliner builds their products to guidelines established under the Federal Boat Safety Act of 1971. The Act is promulgated by the United States Coast Guard who has authority to enforce these laws on boat manufacturers that sell products in the United States. Bayliner ensures that all of its products comply with these laws.

The National Marine Manufacturers Association (NMMA) provides Bayliner with a third party certification. The NMMA is an organization that represents the marine industry and assists manufacturers, boat dealers, marinas, repair yards and component suppliers in areas of legislation, environmental concerns, marine business growth and state and federal government agency interaction. The third party certification that Bayliner participates in, uses the well known Standards and Recommended Practices of the American Boat and Yacht Council (ABYC).

Bayliner Boats participates extensively in the American Boat and Yacht Council which is a nonprofit organization that develops and publishes voluntary standards and recommended practices for boat and equipment design, construction, service and repair. We utilize all applicable ABYC standards in the construction of your Bayliner boat.

Finally, Bayliner sells their products world wide and as such must conform to the various rules and regulations required by other countries. Most notably, are the ISO standards in Europe which require the application of the Common European (CE) mark. This mark, much like the NMMA certification here in the US, gives you the boat owner specific information concerning your craft.

## International Requirements

Depending on your boat's original destination, the vessel and its systems may have been constructed in accordance with standards and specifications published by various international authorities such as:

- Construction Standards for Small Vessels - Canada
- Recreational Craft Directive and applicable ISO Standards - European Union
- AS/NZ 3004 Electrical Installations - Australia/New Zealand

Further information concerning these requirements may be obtained from your local dealer.



## Engine, Accessory Guidelines and Literature

### NOTICE

- Before starting or working on your engine(s), read the engine manual.
- Before using the accessories on your boat, read the accessory manuals.
- Before storing your boat, refer to your engine and accessory manuals for storage/winterization instructions.

### NOTICE

Certain modifications to your boat will result in cancellation of your warranty protection. Always check with your dealer before making any modifications.

- Your boat's engine and accessories were selected to provide optimum performance and service.
- Installing a different engine or adding accessories may affect your boat's running trim.
- If you choose to install a different engine or add accessories that may affect your boat's running trim, have a trained marine technician perform a safety inspection and handling test before using your boat again.
- The engine and accessories on your boat have their own manuals. Read these manuals before using the engines and accessories.

Unless noted otherwise, all engine and accessory literature referred to in this supplement is included in your owner's packet.

While the topics listed below may be included in this supplement and in the *Sport Boat Owner's Manual*, always refer to the engine manual first for specific information on these important subjects:

- |                                |                                |
|--------------------------------|--------------------------------|
| • Engine Break-in Procedure    | • Fuel and Oil Recommendations |
| • Engine Starting and Stopping | • Engine Maintenance           |
| • Gear Shifting                | • Engine Storage/Winterization |

## Propeller



### CAUTION

#### ENGINE DAMAGE HAZARD!

The factory standard propeller may not be the best for your particular boat and load conditions. Refer to the engine manual RPM ratings. The engine should reach, but not exceed its full rated RPM when full-throttle is applied. Immediately contact your local Bayliner dealer if:

- The engine cannot reach its full rated RPM when full-throttle is applied
- The engine exceeds its full rated RPM when full-throttle is applied

- Keep the propeller in good repair and at the correct pitch for your particular situation.
- A slightly bent or nicked propeller will adversely affect the performance of your boat.

## Qualified Maintenance



### WARNING

To maintain the safety of your boat, allow **ONLY** trained personnel to work on, or change, in any way, the following:

- Steering system
- Propulsion system
- Engine control system
- Fuel system
- Environmental control system
- Electrical system
- Navigation system

Failure to maintain your boat's systems (listed in the warning above) as designed could violate the laws in your jurisdiction and could expose yourself and others to the danger of bodily injury or accidental death.

Follow the maintenance instructions in:

- This *Owner's Manual Supplement*
- The *Sport Boat Owner's Manual*
- The engine owner's manual
- All accessory literature

## Special Care for Moored Boats

### NOTICE

- To help seal the hull bottom and reduce the chance of gel coat blistering while your boat is moored, apply an epoxy barrier coating.
- The barrier coating should be covered with several coats of anti-fouling paint.
- Many states regulate the chemical content of bottom paints in order to meet environmental standards. Check with your local dealer about recommended bottom paints, and about the laws in effect in your area.

- Whether moored in saltwater or freshwater, your boat will collect marine growth on its hull bottom.
- This will detract from your boat's beauty, greatly affect its performance, and may damage the gel coat.
- Periodically haul your boat out of the water and scrub the hull bottom with a bristle brush and a solution of soap and water.

## Safety Standards

### **DANGER**

#### **FALLING and ROTATING PROPELLER HAZARD!**

- NEVER allow anyone to ride on parts of your boat not designed for such use.
- Sitting on seat-backs, lounging on the forward deck, bow riding, gunwale riding or occupying the transom platform while underway is especially hazardous and WILL cause personal injury or death.

### **DANGER**

#### **FALLING, ROTATING PROPELLER and CARBON MONOXIDE POISONING HAZARD!**

- NEVER allow anyone to occupy, or hang from, the back deck or transom platform while the engine is running.
- Teak surfing, dragging or water skiing within 20 feet of a moving watercraft can be fatal.

### **DANGER**

#### **PERSONAL SAFETY HAZARD!**

- ALWAYS secure the anchor and other loose objects BEFORE getting underway.
- The anchor and other items that are not properly secured can come loose when your boat is moving and cause personal injury or death.

### **WARNING**

A wide variety of components used on this vessel contain or emit chemicals known to the State of California to cause cancer and birth defects and other reproductive harm.

Examples include:

- Engine and generator exhaust
- Engine and generator fuel, and other liquids such as coolants and oil, and especially, used motor oil
- Cooking fuels
- Cleaners, paints, and substances used for vessel repair
- Waste materials that result from wear of vessel components
- Lead from battery terminals and other sources such as ballast or fishing sinkers

To Avoid Harm:

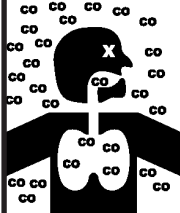
- Keep away from engine, generator, and cooking fuel exhaust fumes.
- Wash exposed skin thoroughly with soap and water after handling the substances above.

- Your boat's mechanical and electrical systems were designed to meet safety standards in effect at the time it was built.
- Some of these standards were mandated by law, and all of them were designed to insure your safety and the safety of other people, vessels and property.

Read this supplement, the *Sport Boat Owner's Manual*, the engine owner's manual, and all accessory instructions for important safety standards and hazard information.

## Carbon Monoxide (CO)

! **DANGER**



- Carbon monoxide gas (CO) is colorless, odorless, tasteless, and extremely dangerous.
- ALL engines, generators, and fuel burning appliances produce CO as exhaust.
- Prolonged exposure to low concentrations or very quick exposure to high concentrations WILL cause BRAIN DAMAGE or DEATH.
- Teak surfing, dragging, or water skiing within 20 feet of a moving watercraft can be fatal.

### CO Facts

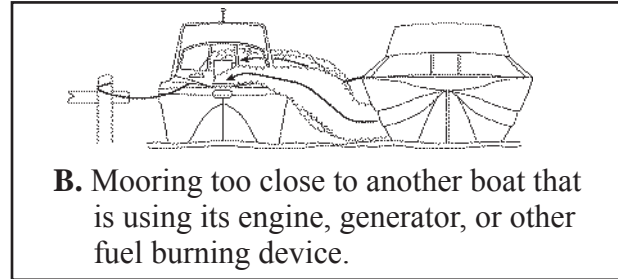
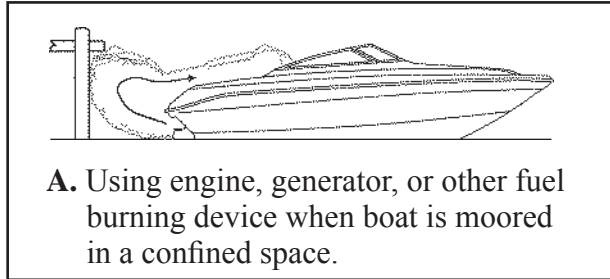
- CO poisoning causes a significant number of boating deaths each year.
- Called the "silent killer", CO is an extremely toxic, colorless, odorless and tasteless gas.
- CO can harm or even kill you inside or outside your boat.
- CO can affect you whether you're underway, moored, or anchored.
- CO symptoms are similar to seasickness or alcohol intoxication.
- CO can make you sick in seconds. In high enough concentrations, even a few breaths can be fatal.
- Breathing CO blocks the ability of your blood to carry oxygen.
- The effects are cumulative. Even low levels of exposure can result in injury or death.

### Factors that Increase the Effects of CO Poisoning

- Age
- Smokers or people exposed to high concentrations of cigarette smoke
- Consumption of alcohol
- Lung disorders
- Heart problems
- Pregnancy

## Where and How CO Can Accumulate

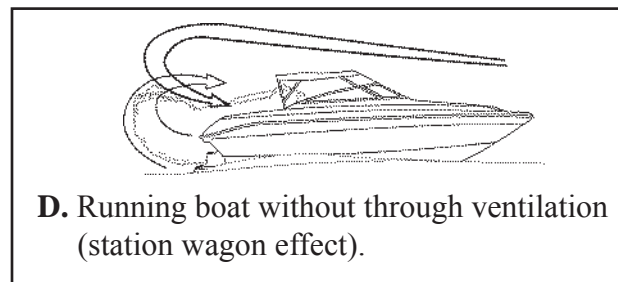
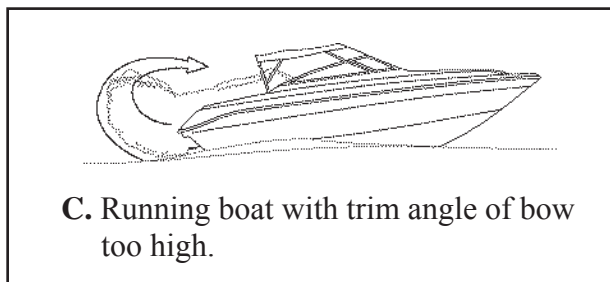
Stationary conditions that increase CO accumulations include:



To correct stationary situations A and/or B:

- Close all windows, portlights and hatches.
- If possible, move your boat away from source of CO.

Running conditions that increase CO accumulations include:



To correct running situations C and/or D:

- Trim bow down.
- Open windows and canvas.
- When possible, run boat so that prevailing winds help dissipate exhaust.

## How to Protect Yourself and Others From CO

- Know where and how CO may accumulate in and around your boat (see above).
- Always maintain fresh air circulation throughout your boat.
- Know where your engine and generator exhaust outlets are located and keep everyone away from these areas.
- Never sit on, or hang onto, the back deck or transom platform while the engine is running.
- Never enter the areas under transom platforms where exhaust outlets are located.
- Although CO can be present without the smell of exhaust fumes, if exhaust fumes are detected on your boat, take immediate action to dissipate these fumes.
- Treat symptoms of seasickness as possible CO poisoning. Get the person into fresh air immediately. Seek medical attention—unless you're sure it's not CO.
- **Install and maintain CO monitors inside your boat.** Never ignore any alarm. Replace monitors as recommended by the monitor manufacturer.
- Follow the checklists provided on the next page.
- Get a Vessel Safety Check.

For information on how to get a free VESSEL SAFETY CHECK, visit [www.vesselsafetycheck.org](http://www.vesselsafetycheck.org) or contact your local U.S. Coast Guard Auxiliary or U.S. Power Squadrons:

- U.S. Coast Guard Auxiliary: 1-800-368-5647 or [www.cgaux.org](http://www.cgaux.org)
- U.S. Power Squadrons: 1-888-FOR-USPS (1-888-367-8777) or [www.usps.org](http://www.usps.org)

## CO Checklists

### Trip Checklist

- Make sure you know where the exhaust outlets are located on your boat.
- Educate all passengers about the symptoms of CO poisoning and where CO may accumulate.
- When docked, or rafted with another boat, be aware of exhaust emissions from the other boat.
- Listen for any change in exhaust sound, which could mean an exhaust component failure.
- Test the operation of each CO monitor by pressing the test button.

### Monthly Checklist

- Make sure all exhaust clamps are in place and secure.
- Look for exhaust leaking from exhaust system components. Signs include rust and/or black streaking, water leaks, or corroded or cracked fittings.
- Inspect rubber exhaust hoses for burned, cracked, or deteriorated sections. All rubber hoses should be pliable and free of kinks.

### Annual Checklist

#### Have a Trained Marine Technician:

- Replace exhaust hoses if cracking, charring, or deterioration is found.
- Ensure that your engines and generators are properly tuned, and well maintained.
- Inspect each water pump impeller and the water pump housing. Replace if worn. Make sure cooling systems are in working condition.
- Inspect all metallic exhaust components for cracking, rusting, leaking, or loosening. Make sure they check the cylinder head gasket, exhaust manifold, water injection elbow, and the threaded adapter nipple between the manifold and the elbow.
- Clean, inspect, and confirm proper operation of the generator cooling water anti-siphon valve (if equipped).

## More Information

For more information about preventing carbon monoxide poisoning on recreational boats and other boating safety tips, contact:

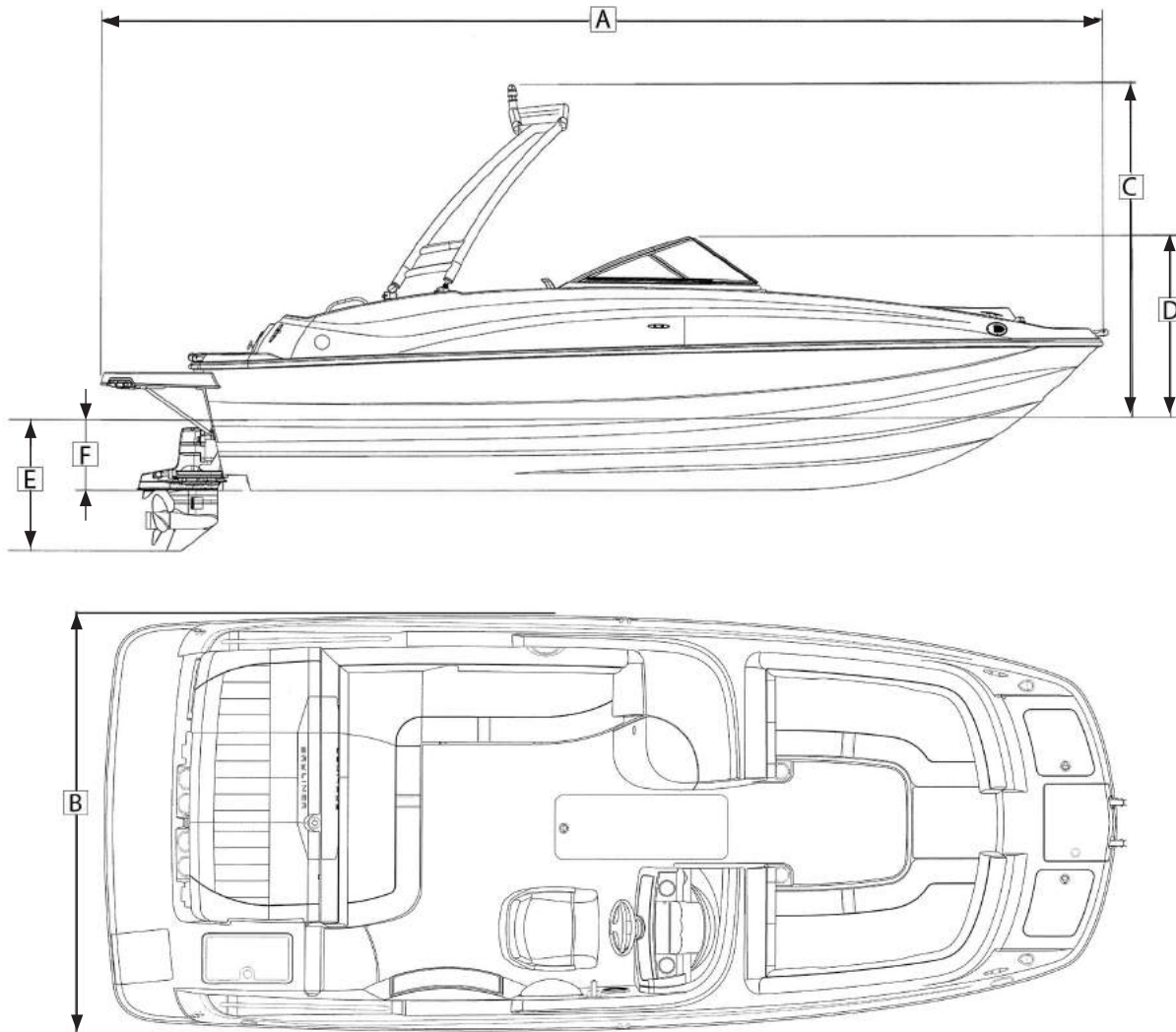
United States Coast Guard  
Office of Boating Safety (G-OPB-3)  
2100 Second Street SW  
Washington, DC 20593  
[www.uscgboating.org](http://www.uscgboating.org)  
1-800-368-5647

National Marine Manufacturers  
Association (NMMA)  
200 East Randolph Drive  
Suite 5100  
Chicago, IL 60601-9301  
[www.nmma.org](http://www.nmma.org)  
312-946-6200

American Boat & Yacht  
Council, Inc. (ABYC)  
613 Third Street  
Suite 10  
Annapolis, MD 21403  
[www.abycinc.org](http://www.abycinc.org)  
410-990-4460

## Chapter 2: Locations

### Dimensions and Specifications



#### 215 Deck Boat Specifications:

|                                 |            |              |
|---------------------------------|------------|--------------|
| (A) Overall Length              | 22' 6"     | 6.86 m       |
| (B) Beam                        | 8' 6"      | 2.59 m       |
| (C) Bridge Clearance with Tower | 7' 6"      | 2.27 m       |
| (D) Bridge Clearance            | 4'         | 1.22 m       |
| (E) Draft (Maximum)             | 2' 11"     | 0.89 m       |
| (F) Draft (Hull)                | 1' 8"      | 0.52 m       |
| Fuel Capacity                   | 55 gallons | 208 liters   |
| Dry Weight                      | 3650 lbs.  | 1655.61 kg   |
| Water                           | 10 gallons | 37.84 liters |

## Stability



### WARNING

Wet decks are slippery.  
You can be seriously injured if you slip and fall.  
Wear slip resistant footwear secured to your feet and hold on to rails or boat structure.



### WARNING

Boat motion can be erratic.  
You can fall overboard or be injured by hitting something in or on the boat.  
All persons must be in cockpit area or cabin and be prepared for sudden boat movement.  
Use front or bow deck area only during anchoring, mooring or emergencies.

When persons are on the working deck area, for anchoring, mooring, or in emergencies, they must be holding on and be positioned so as to prevent falling. In bad weather and/or rough water, if it is essential to be on deck, persons should be closely tied to cleats, railing stanchions or other securely fastened boat hardware.

Your boat was manufactured to specific stability and flotation standards for the capacity shown on the certification plate. Any increase from the recommended load capacities will put your boat in jeopardy of capsizing, swamping and/or sinking.

In Addition:

- Stability may be substantially reduced if equipment is added above the deck.
- Stability is substantially reduced by loose fluids or weight within the hull. Keep bilge area as dry as possible, and close all openings, hatches and windows in rough weather.



### DANGER

Rotating propellers can injure or kill you.  
Shut off engine when persons are in water near boat, or on swim platform or ladder.



### WARNING

Distribute passengers and gear as uniformly as possible from front to rear and left to right.  
The manufacturer's load rating is the maximum allowed under calm conditions.  
Reduce boat loading if weather, water or other conditions are adverse.

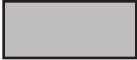



### WARNING

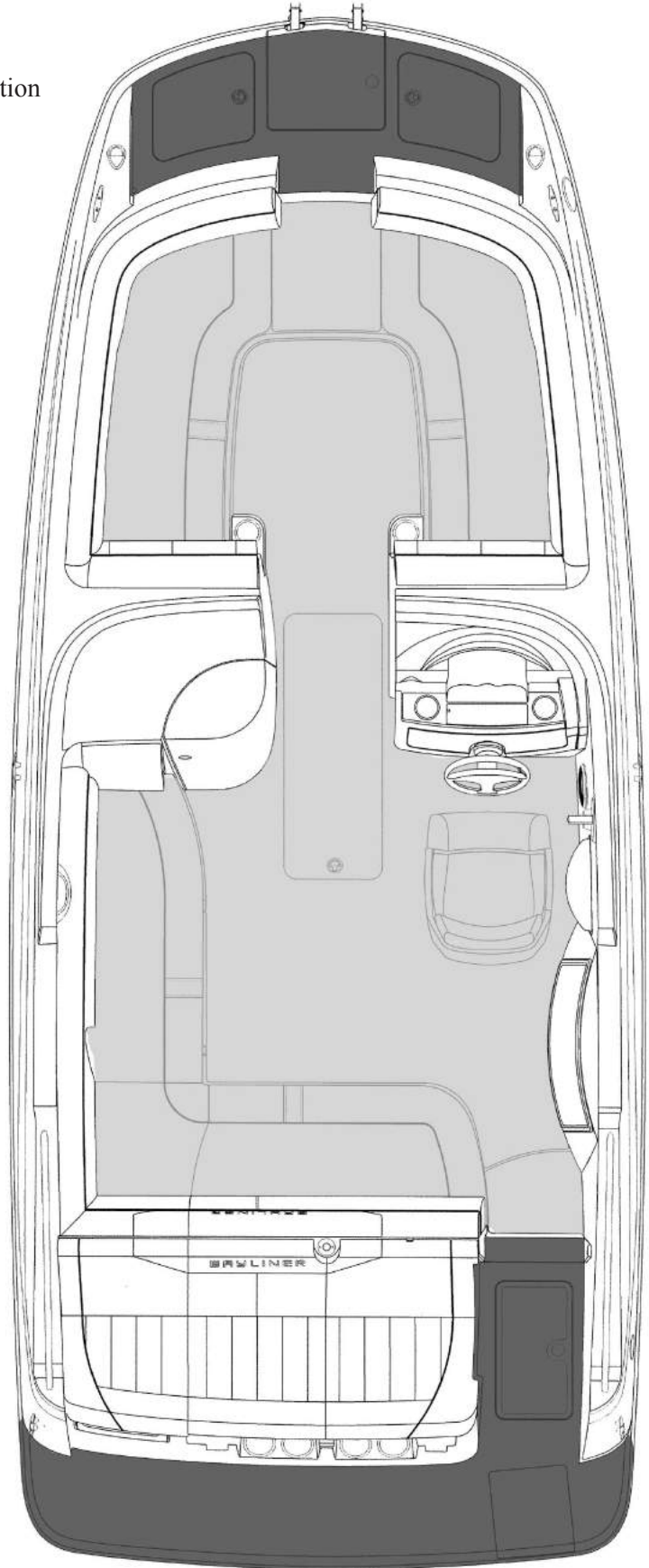
Rear facing transom seats **MUST NOT** be used while engine is running or boat is moving.



## Deck Occupation Areas

 **Accommodation Deck**  
(Deck Area Intended for Occupation  
During Normal Operation)

 **Working Deck**  
(Deck Area Intended for  
Occupation During Anchoring,  
Mooring and Emergency  
Operation Only)



## Load Capacity

### DANGER

Never carry more weight or passengers than indicated on the certification plate, regardless of weather or water conditions.

The boat can capsize, swamp or sink.

If present, the capacity information plate (located near the helm) indicates maximum weight and number of persons your boat can handle under calm sea conditions. Do not exceed the load capacities stated. The number of people on board must be reduced if you go out in poor weather and rough water.

The type of capacity plate will vary dependant upon the local governing authority.

- United States – The United States Coast Guard only provides specific numbers for passenger capacity or cargo weight for recreational vessels up to 20' (6.1 meters). NMMA provides capacity for boats under 26' (7.9 meters).
- Canada – Transport Canada only provides specific numbers for passenger capacity or cargo weight for recreational vessels up to 6 meters (19.7').
- Australia – The Australian Transport Council provides specific numbers for passenger capacity and cargo weight for all recreational vessels.
- European Union – CE regulations provide specific information for passenger capacity and cargo weight for all recreational vessels.

Capacity Plate (Domestic Certification)

Maximum Number  
of Passengers

Maximum Load  
Capacity

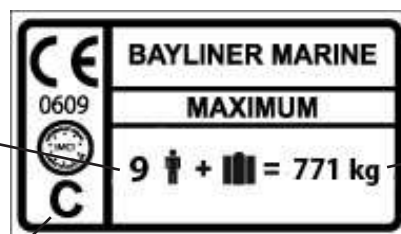


Capacity Plate (International Certification)

Maximum Number  
of Passengers

Maximum Load  
Capacity

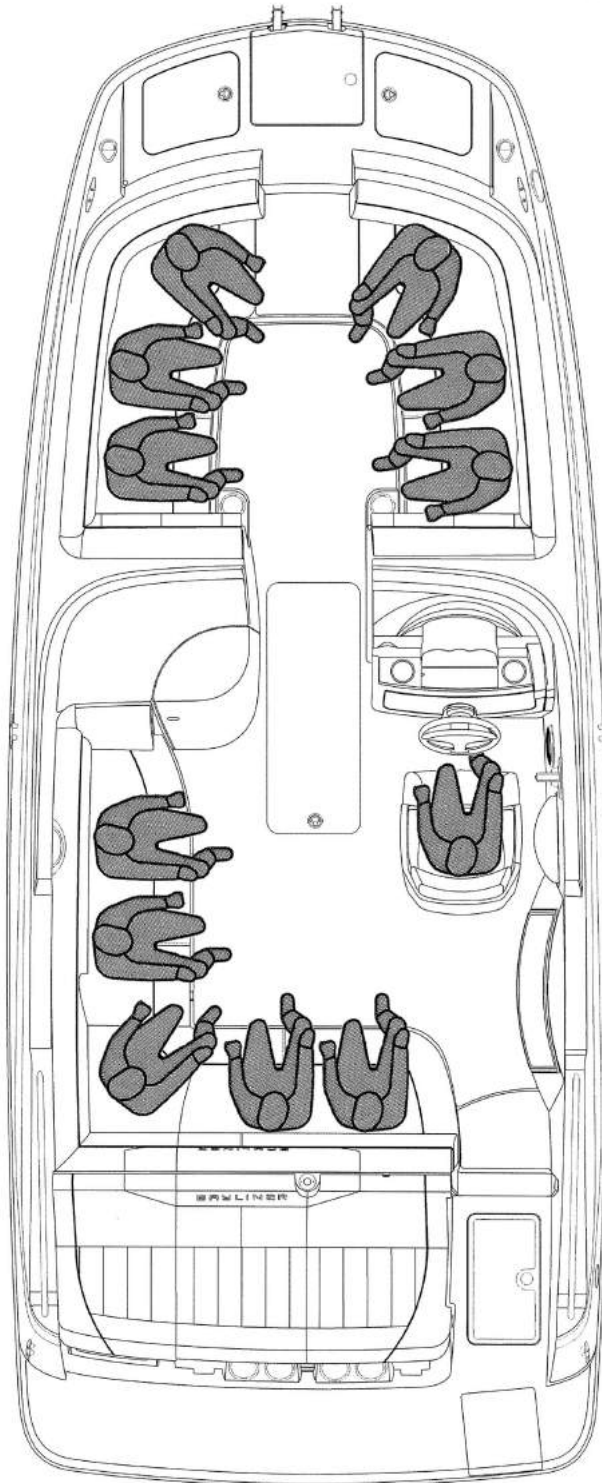
Design  
Category



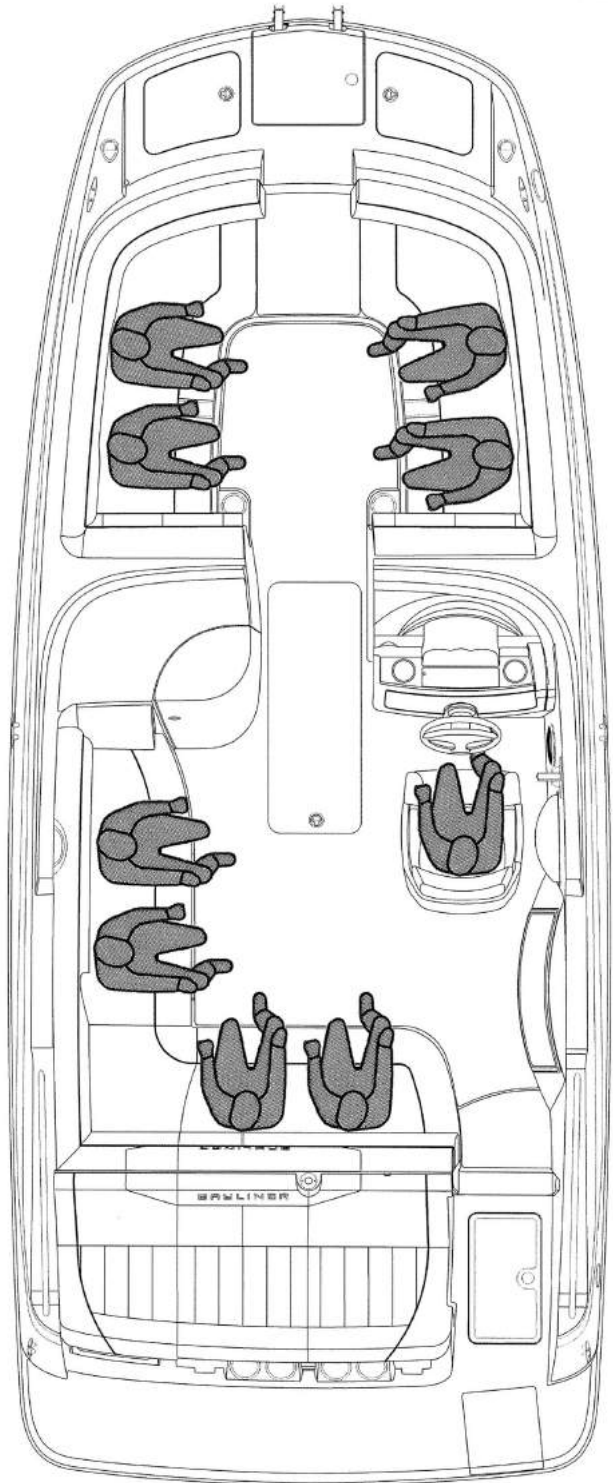
## Passenger Locations

### NOTICE

The maximum number of persons listed on the capacity plate may be affected by where the vessel is registered. See Load Capacity.



DOMESTIC



EUROPEAN, (CE)

## Design Category

There are four design categories of boats based upon their ability to withstand wind and sea or water conditions:

### A. Ocean

Wind speed: above 40 knots (46 mph)

Wave height: above 4 meters (13 feet)

Boat may be used for extended ocean voyages.

### B. Offshore

Maximum wind speed: 40 knots (46 mph)

Maximum wave height: 4 meters (13 feet)

Boat can be used offshore, but not for extended ocean voyages.

### C. Inshore

Maximum wind speed: 27 knots (31 mph)

Maximum wave height: 2 meters (6.5 feet)

Boat use is limited to coastal waters, large bays, estuaries, lakes and rivers.

### D. Sheltered waters

Maximum wind speed: 15 knots (18 mph)

Maximum wave height: 0.5 meters (1.5 feet)

Boat use is limited to small lakes, rivers and canals.



**DANGER**

DO NOT ATTEMPT TO BOAT IN SEVERE WEATHER CONDITIONS.

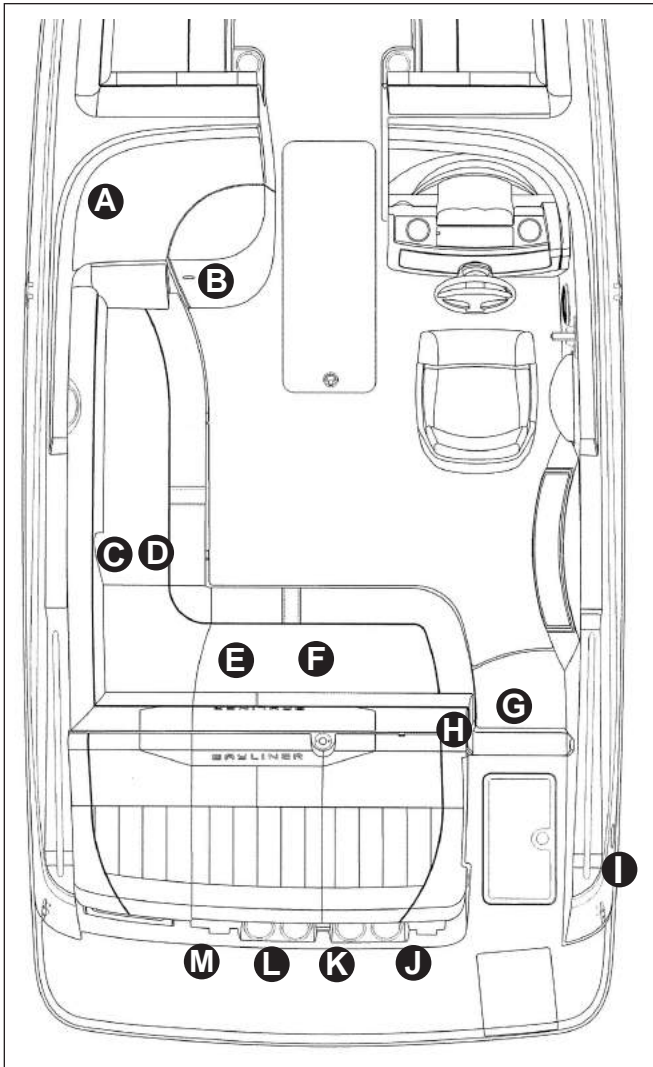
DEATH OR SERIOUS INJURY CAN OCCUR.

GET TO SHORE BEFORE THE WEATHER TURNS BAD.

The wind speed and wave height specified as the upper limit for your category of boat does not mean that you or your passengers can survive if your boat is exposed to these conditions. It is only the most experienced operators and crew that may be able to operate a boat safely under these conditions.

You must always be aware of weather conditions and head for port or protected waters in sufficient time to avoid being caught in high winds and rough water. Do not take chances!

## Warning Labels



**A** WATERTIGHT CLOSURE  
KEEP SHUT WHEN UNDERWAY

**B** **⚠ WARNING**  
DOOR MUST BE SECURED  
WHILE VESSEL IS UNDERWAY.

**C** **⚠ CAUTION**  
IF SWITCH IS TURNED OFF  
WHILE ENGINE IS RUNNING  
ALTERNATOR WILL BE DAMAGED.

**D** **NOTICE**  
CHECK BATTERY CELL FLUID LEVEL  
APPROXIMATELY EVERY 4 WEEKS, AND MORE  
OFTEN IN SUMMER AND HOT ZONES.

**E** **⚠ DANGER**  
STAY CLEAR OF MOVING PARTS  
WHILE ENGINE IS RUNNING.

**F** **⚠ WARNING**  
LEAKING FUEL IS A FIRE AND EXPLOSION  
HAZARD. INSPECT SYSTEM REGULARLY  
EXAMINE FUEL TANKS FOR LEAKS OR  
CORROSION AT LEAST ANNUALLY.

**G** **⚠ DANGER**  
TRANSOM DOOR MUST BE  
CLOSED AND SECURE WHEN  
ENGINE IS RUNNING.


**H** **⚠ WARNING**

- IN CASE OF FIRE DO NOT OPEN ENGINE BOX OR COMPARTMENT.
- SHUT DOWN ENGINES, GENERATOR AND BLOWERS.
- CONTINUOUSLY DISCHARGE ENTIRE CONTENTS OF PORTABLE FIRE EXTINGUISHER THROUGH PORT IMMEDIATELY.

**I** **⚠ WARNING**  
Gasoline vapors are explosive!  
Avoid serious injury or death from fire or explosion, resulting from leaking fuel.  
Inspect system for leaks at least once a year. The use of fuels containing ethanol higher than 10% (E-10) can damage your engine or fuel system and will void the warranty. Never use (E-85).  
Open flame appliances can ignite gasoline vapors causing death or injuries from the fire or explosion. Turn off all open flame appliances when refueling.

**J** **⚠ DANGER**  
TO AVOID RISK OF SERIOUS INJURY OR DEATH  
SHUT OFF ENGINE WHEN NEAR SWIMMERS  
OR PRIOR TO USING SWIM PLATFORM AND  
BOARDING LADDER

**K** **⚠ DANGER**

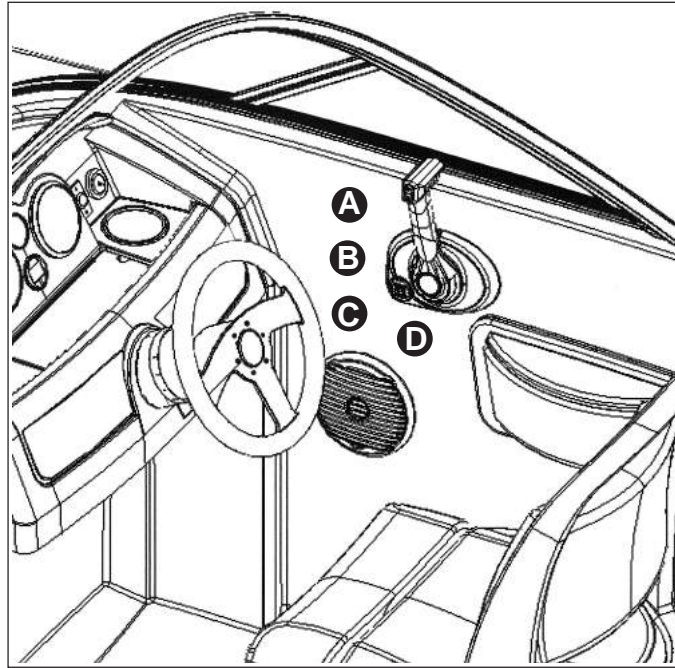


**Carbon monoxide (CO)** can cause brain damage or death. Engine and generator exhaust contains odorless and colorless carbon monoxide gas. Carbon monoxide will be around the back of the boat when engines or generators are running. Move to fresh air, if you feel nausea, headache, dizziness, or drowsiness.

**L** **⚠ WARNING**  
YOU CAN DIE OR BE SERIOUSLY INJURED BY BREATHING CARBON MONOXIDE OR BY THE PROPELLER IF YOU FALL OVERBOARD. REAR FACING TRANSOM SEATS MUST NOT BE USED WHILE ENGINE IS RUNNING OR BOAT IS MOVING

**M** **⚠ WARNING**  
USE CAUTION WITH SKIER IN TOW AS TOW ROPE MAY BACKLASH INTO COCKPIT WHEN RELEASED

# Helm Warning Labels



**A**

**MAXIMUM CAPACITIES**

**12 PERSONS OR 1750 LBS.**

1800 LBS. PERSONS, GEAR

THIS BOAT COMPLIES WITH U.S. COAST GUARD SAFETY STANDARDS IN EFFECT ON THE DATE OF CERTIFICATION  
 MANUFACTURER: BAYLINER MARINE CORP. US MARINE  
 MODEL: 215 DB LAKE FOREST, IL

DESIGN COMPLIANCE WITH NMMA REQUIREMENTS IS VERIFIED.  
 MANUFACTURER RESPONSIBLE FOR PRODUCTION CONTROL.

**NMMA CERTIFIED**  
using ABYC standards

NATIONAL MARINE MANUFACTURERS ASSN

**B**

THE UNITED STATES COAST GUARD (USCG) RECOMMENDS THAT ALL OCCUPANTS WEAR APPROVED PERSONAL FLOATION DEVICES (PFDs).

**⚠ DANGER**

**PROPELLER(S) MAY CAUSE SERIOUS INJURY OR DEATH**

Shut-off engine(s) when near swimmers, prior to using sunpads, swim platform, or boarding ladder.

**⚠ WARNING**

**AVOID COLLISIONS-**

- Maintain lookout as required by the "Rules of the Road"
- Visibility can be limited by high boat trim angles, persons, gear, weather and atmospheric conditions.
- At all times proceed at a safe speed, in order to take proper and effective action to avoid hazardous conditions.

SUCH ISSUES ARE UNDER THE CONTROL OF THE OPERATOR!

**AVOID SKI LINES AND TOW ROPES-**  
 Ski lines and tow ropes can backlash into the cockpit when released.

**⚠ CAUTION**

**AVOID INHALATION OF TOXIC FUMES-**  
 If fire extinguishing system discharge occurs, ventilate space before entering.

**A**

**CE**

0609

**BAYLINER MARINE**

**MAXIMUM**

**9** **+ = 771 kg**

**C**

CE OPTION ONLY

**C**

**⚠ WARNING**

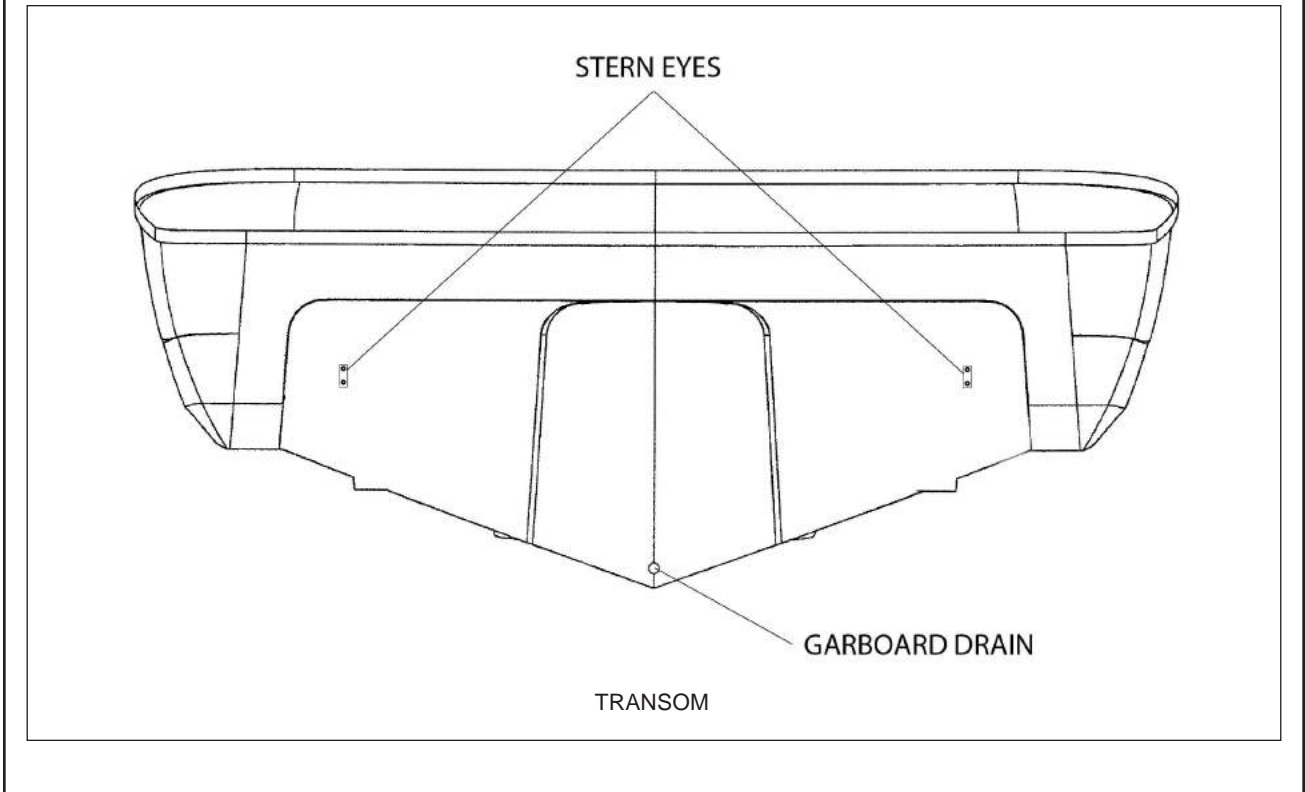
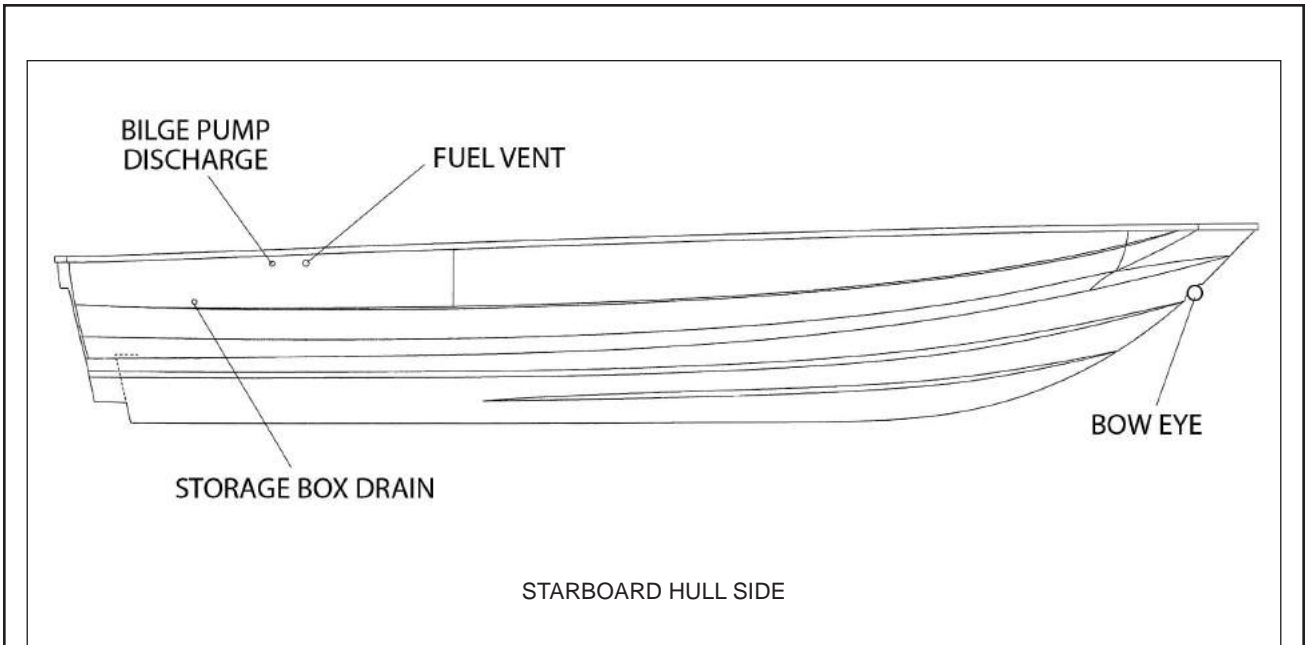
Carbon monoxide (CO) can cause brain damage or death.  
 Engine and generator exhaust contains odorless and colorless carbon monoxide gas.  
 Signs of carbon monoxide poisoning include nausea, headache, dizziness, drowsiness, and lack of consciousness.  
 Get fresh air if anyone shows signs of carbon monoxide poisoning.  
 See Owner's Manual for information regarding carbon monoxide poisoning.

**D**

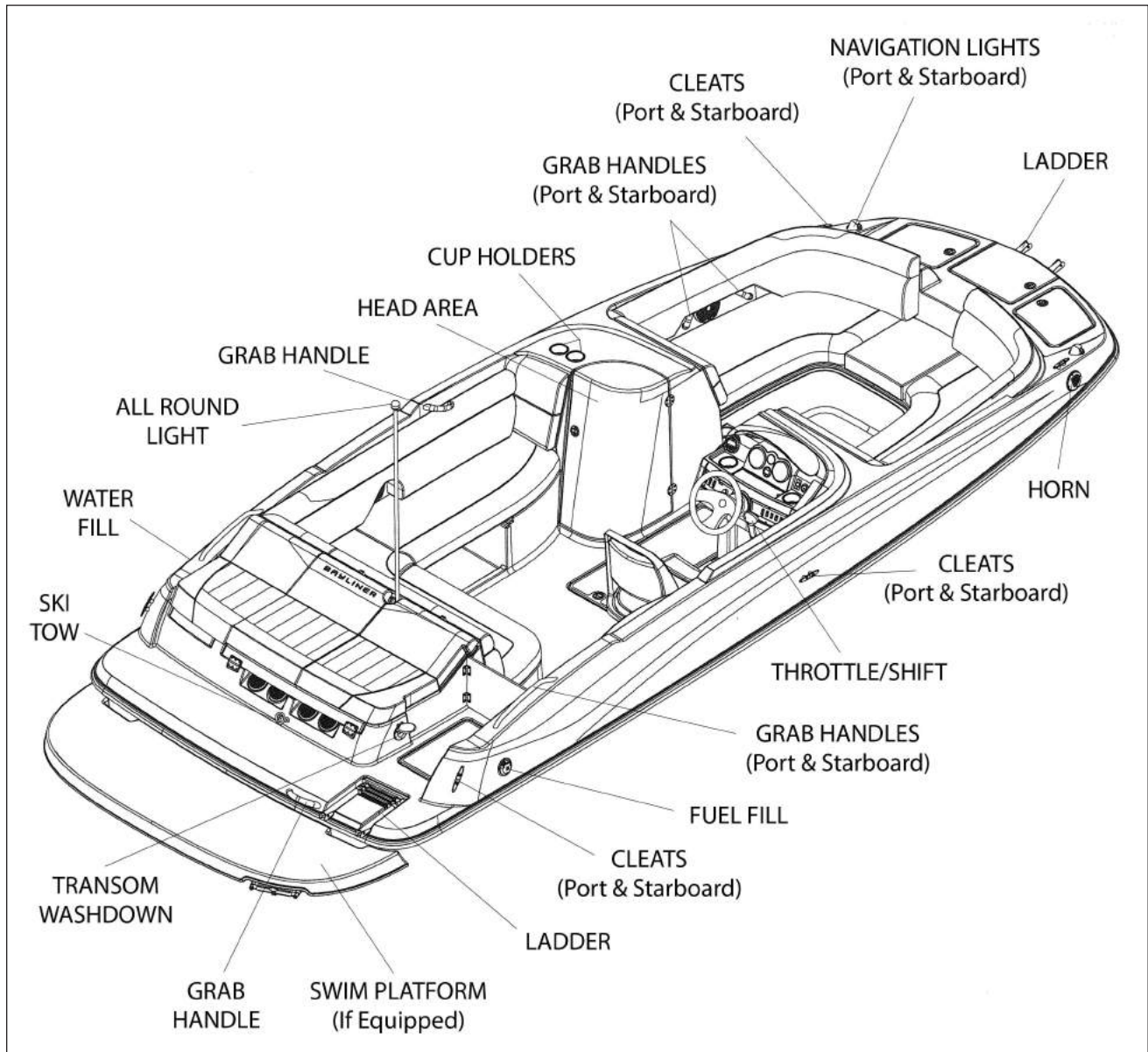
MEETS U.S. EPA EVAP STANDARDS USING CERTIFIED COMPONENTS  
 Bayliner Marine, Lake Forest, IL

## Exterior Views

### Hull Views

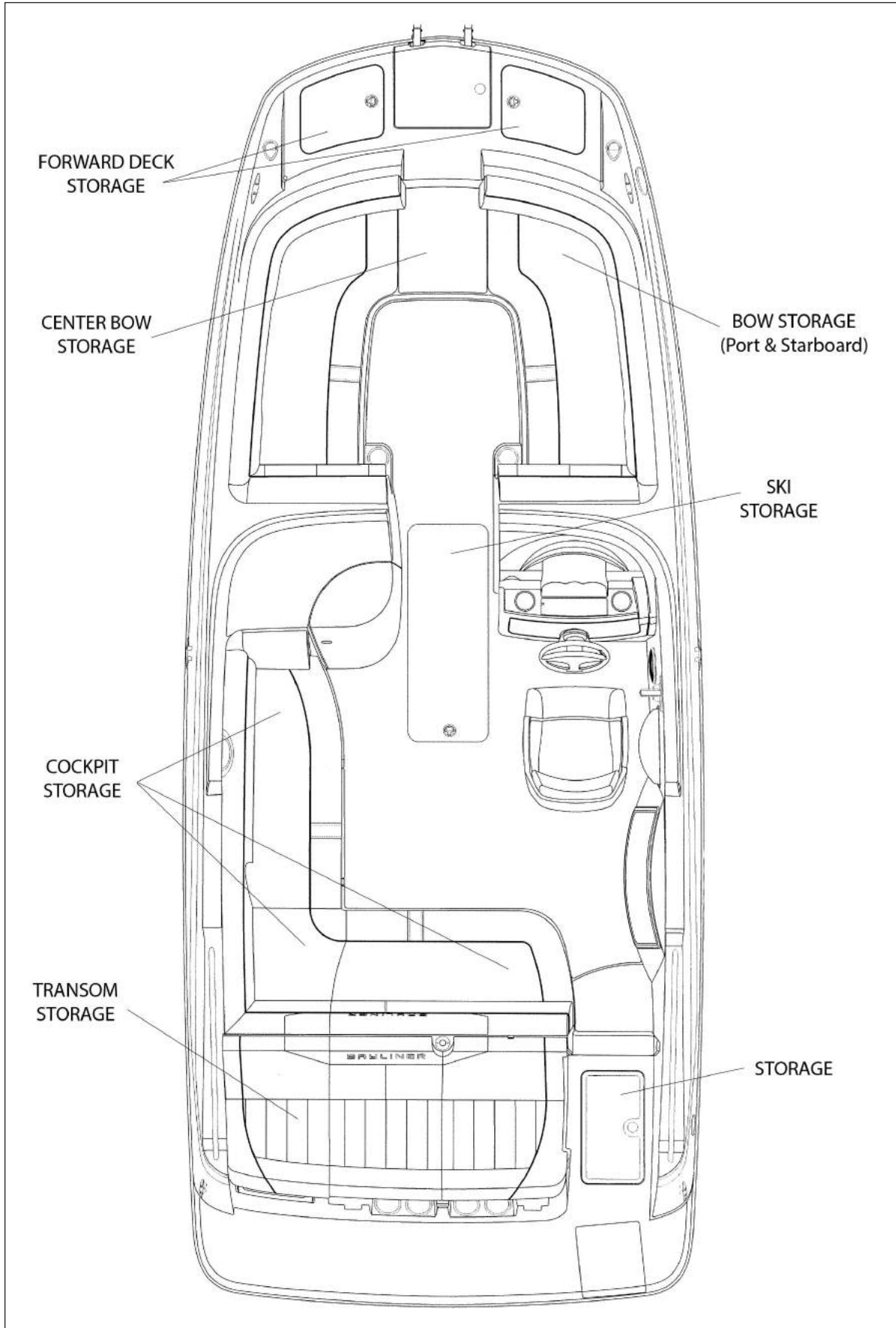


## Deck View



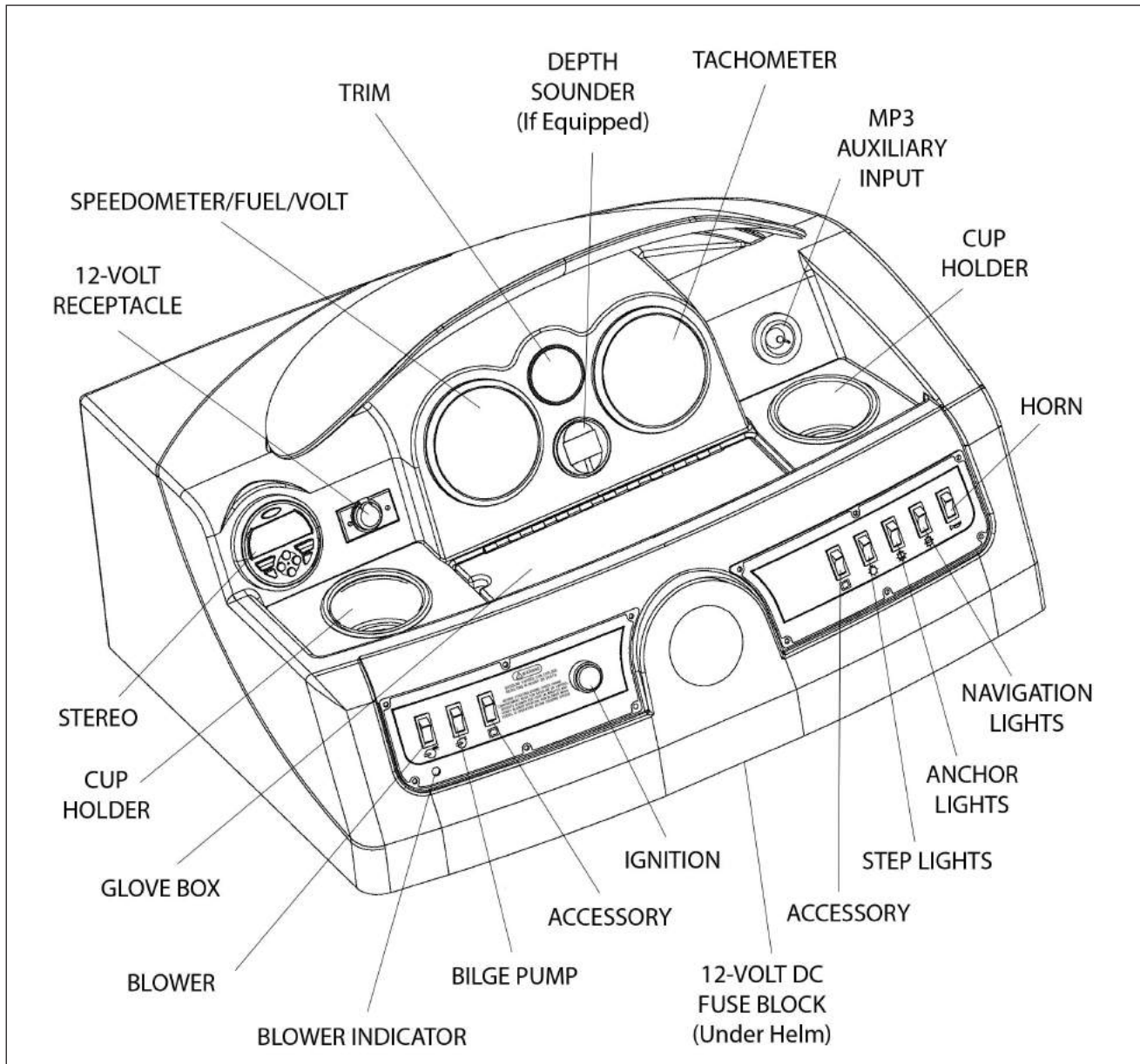


## Storage View



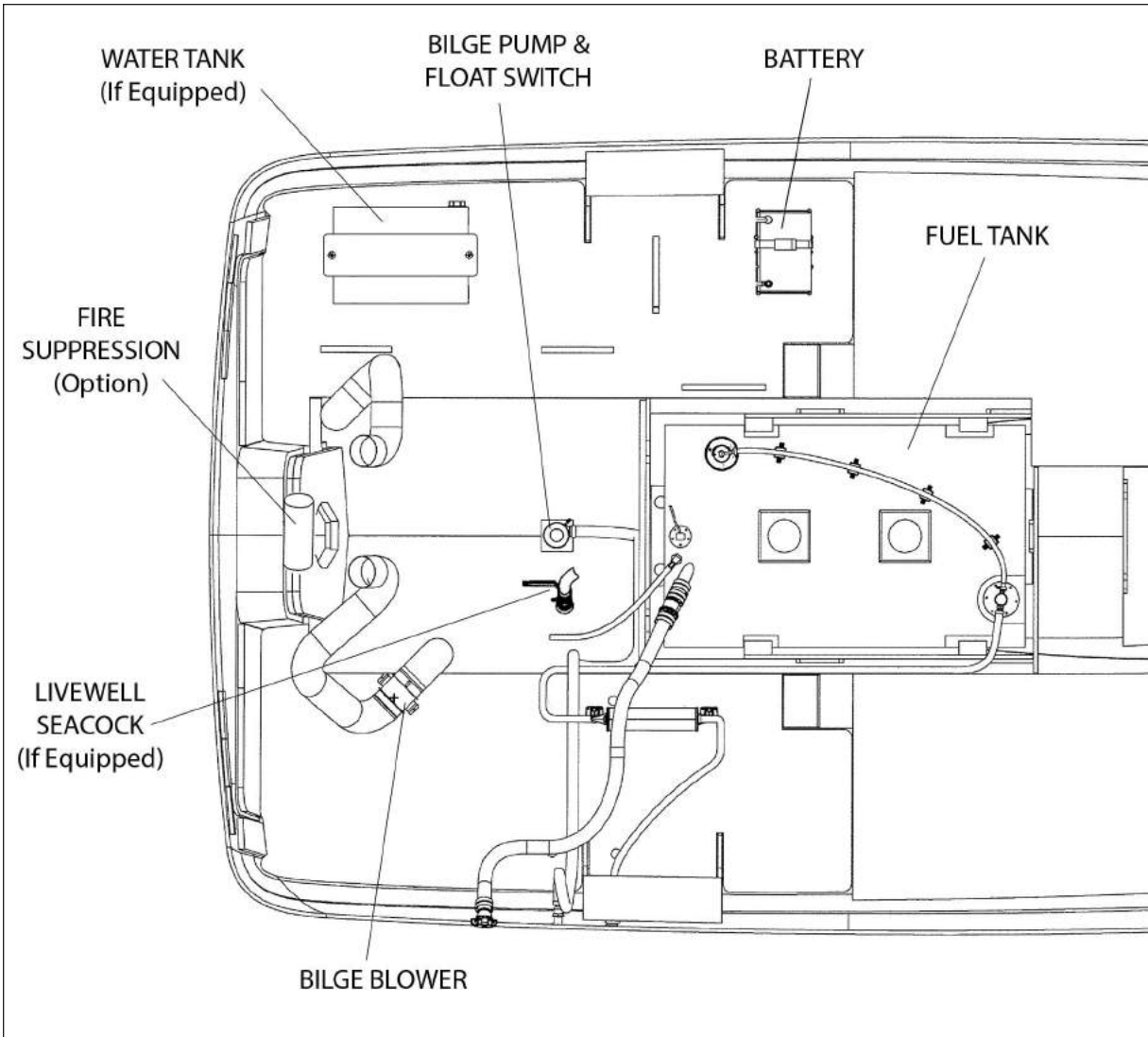
## Helm View

Note: Typical helm layout shown. Actual layout may vary depending on engine and accessory options.



# Component Locations

## Bilge Components



## Chapter 3: Propulsion and Related Systems

### Engine

#### NOTICE

Read the engine manual BEFORE starting or working on your engine.

While the topics listed below may be included in this supplement and in the *Sport Boat Owner's Manual*, always refer to the engine manual first for specific information on these important subjects:

- Engine Break-in Procedure
- Engine Starting and Stopping
- Gear Shifting
- Fuel and Oil Recommendations
- Engine Maintenance
- Engine Storage/Winterization

## Bilge Blower System

The bilge blower system removes potentially explosive fumes from the engine and bilge areas. Fresh air is circulated in the engine and bilge areas through the vents.

### **! DANGER**

#### **FIRE and EXPLOSION HAZARD! Fuel vapors can explode!**

BEFORE starting the engine, check the bilge areas for fuel vapors or leaking fuel. If you smell fuel vapors or see leaking fuel:

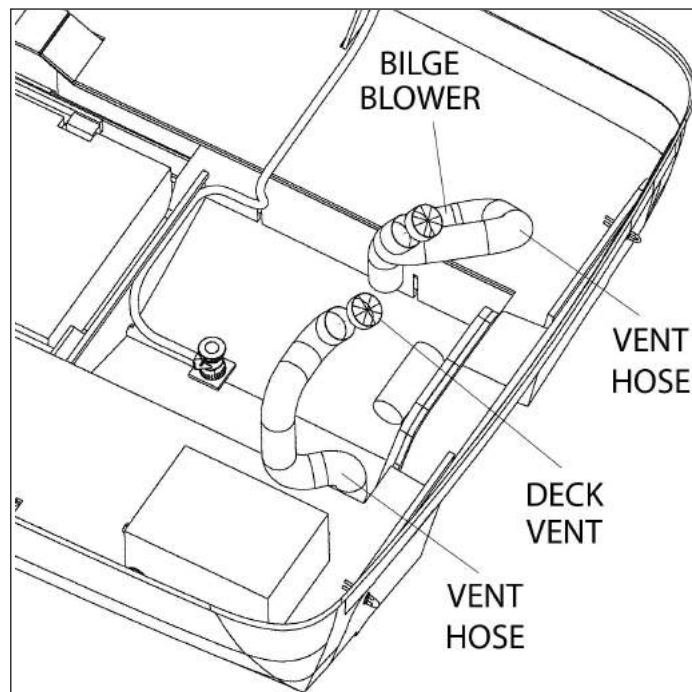
- Do NOT start the engine
- Do NOT turn On any electrical devices
- Put out all cigarettes, cigars and other sources of flame or ignition
- Get everyone off your boat
- Get trained help to find and fix the problem

### **! WARNING**

Before starting the engine, performing electrical system work, or turning on electrical devices, always run the bilge blower for at least four minutes. Continue to run the bilge blower until your boat has reached cruising speed. Always run the bilge blower when running your boat below cruising speed.

### **! WARNING**

Do not allow obstructions to interfere with the bilge blower or ventilation intake operation. Engine(s) performance may be adversely affected.



## Gasoline Fuel System

The gasoline fuel system consists of a fuel tank, fuel tank vent, anti-siphon valve, engine fuel supply line and fuel fill. Your vessel contains a new EPA certified fuel system. The system prevents spit back when filling the tank and lowers the out gassing emissions through the tank and vent.

### ! WARNING

#### **FIRE, EXPLOSION, and OPEN FLAME HAZARD!**

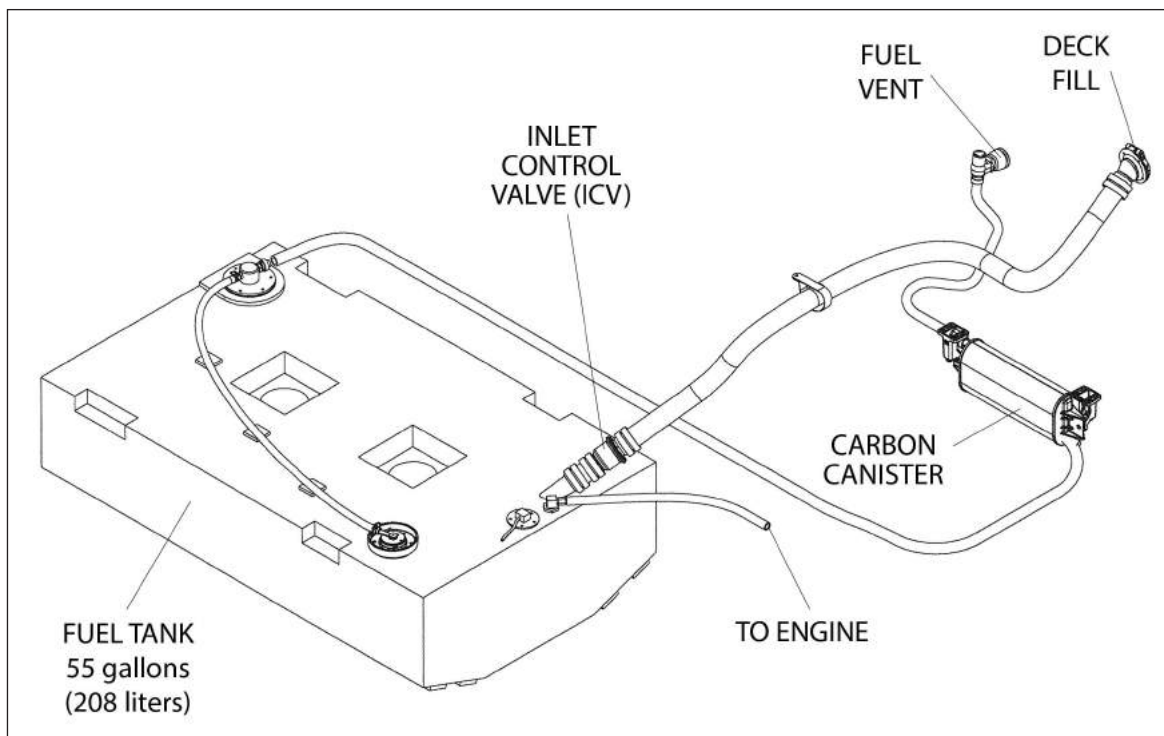
- Thoroughly inspect the fuel system for leaks every time you take on fuel.
- Follow both the Sport Boat Owner's Manual fueling instructions and the engine operation manual fuel recommendations.

### ! CAUTION

Avoid the storage or handling of gear near the fuel lines, fittings and tank.

### NOTICE

Carefully read the fuel section of both the *Sport Boat Owner's Manual* and the engine operation manual, paying special attention to the subject of fuel recommendations.



## Fuel Tank Vent and Fuel Fill

Your boat is equipped with a fuel tank vent for each tank which serves as a pressure/vacuum release. Periodically check the vents to assure that they are not clogged.

The fuel fill deck fitting is marked GAS. If you have problems filling the fuel tank, see if the fuel fill hose or fuel tank vent hose is kinked or collapsed. If there are no visible signs of a problem, contact your local dealer.

## Anti-Siphon Valve

### NOTICE

- If an engine running problem is diagnosed as fuel starvation, check the fuel demand valve.
- If the valve is stuck or clogged, turn Off the engine and replace the valve.
- Except in an emergency, NEVER run the engine without the fuel demand valve.

The anti-siphon valve is a vital fuel system part.

If the fuel line ruptures, this valve prevents the siphoning of fuel from the tank. The valve is located on the fuel tank, where the fuel feed line attaches to the tank. The valve is spring loaded and is opened by the fuel pump vacuum.

## Carbon Canister Venting System

Your boat is equipped with a carbon canister. This canister filters all the hydrocarbons that pass through the canister. If the carbon canister is mounted in the engine compartment, the canister will have a heat shield. Periodically check that the shield has not become damaged.

## Fuel Recommendations

The quality of the fuel is very important for satisfactory engine performance and long engine life. Care should be taken to select fuels having the octane rating recommended for the engine, as indicated in the owner's manual, for proper operation. Fuel should be clean and free of contamination. Your fuel tanks should be kept full of fuel whenever possible. This will reduce the amount of water condensation and reduce the possibility of contamination.

When filling the tank, do NOT attempt to top off the tank. When the fill nozzle shuts off, the tank is full. Continuing to fill past the fuel fill shut off will cause the system to spit back.

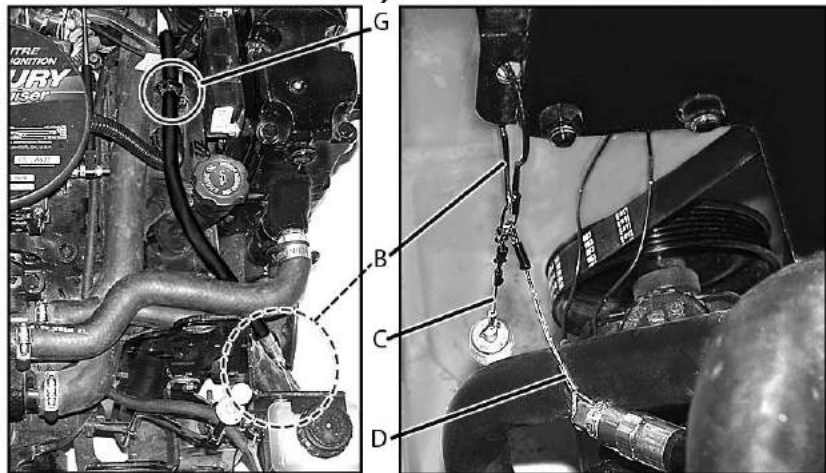
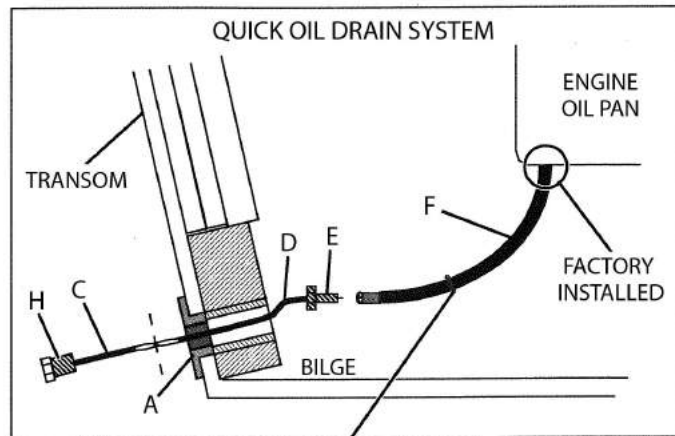
## Quick Oil Drain System

The quick oil drain hose assembly was attached to the engine oil pan at the factory. However, some minor assembly is still needed before you can use this system.

**NOTE:** This is not the only method for changing your oil. Your selling dealer can recommend other methods.

How to install the quick oil drain system:

1. Unscrew the factory installed bilge plug from the garboard drain (A).  
**NOTE:** Keep the original factory bilge plug on your boat as a spare.
2. Unclip the quick oil drain assembly from the wire loop (B) on the engine.
3. Unclip the bilge plug's draw cord (C) from the oil drain plug's draw cord (D).
4. Thread the oil drain plug's draw cord (D) through the garboard drain (A).
5. Pull the oil drain plug (E), and the oil drain hose (F) through the garboard drain (A).
6. Adjust the hose stop clamp (G) so that no more than 12 inches of hose, including the oil drain plug, can extend out of the garboard drain (A).
7. Clip the bilge plug's draw cord (C) back to the oil drain plug's draw cord (D).
8. Push the oil drain hose, oil drain plug, and both draw cords through the garboard drain and into the bilge area.
9. Screw the bilge plug (H) into the garboard drain (A) and tighten firmly.



To drain the engine oil:

1. Remove your boat from the water.
2. Unscrew the bilge plug.
3. Pull the draw cord until the oil drain plug and the oil drain hose slide out of the garboard drain.
4. Place the end of the oil drain hose into a suitable container.
5. Unscrew the oil drain plug and drain the engine oil.
6. Replace the oil drain plug.
7. Push the drain hose back into the bilge.
8. Replace the bilge plug and tighten firmly.

***Always dispose of waste oil in accordance with local laws.***




## Chapter 4: Controls and Gauges

### Steering

- Boat steering is not self-centering.
- Your boat features power-assisted rack-and-pinion steering.
- Refer to the engine manual for steering system details.

### Shift/Throttle Controls

|   |
|---|
|  <b>WARNING</b>                          |
| <b>LOSS OF CONTROL HAZARD!</b><br>Improper maintenance of the shift/throttle hardware may cause a sudden loss of control. |


Read all of the information about the shift/throttle controls in the shift/throttle manual, the engine operation manual, and the *Sport Boat Owner's Manual*.

### Power Trim and Tilt

- The stern drive on your boat is equipped with power trim and tilt.
- Trim and tilt instructions are provided in the engine operation manual and the shift/throttle manual.

### Gauges

#### Cleaning the Gauges

|  |
|--|
|  <b>CAUTION</b>   |
| <b>PRODUCT or PROPERTY DAMAGE HAZARD!</b><br><ul style="list-style-type: none"> <li>• Use only mild soap and water to clean the gauge lenses and bezels.</li> <li>• Use of other cleaners, including common window cleaning solutions, may cause the lenses to crack.</li> <li>• Lenses cracked in this manner will NOT be covered by our warranty.</li> </ul> |

#### Gauge Fogging

- Moisture may occasionally find its way into the gauges causing lens fogging.
- Turning On the gauge lights will help dry the lenses.
- Fogging will not harm the gauges.

#### Radio Transmission Interference

VHF or other radio transmissions may cause brief erratic readings on the tachometer. This will not damage the tachometer gauge or affect its accuracy when not transmitting.

#### Fuel Gauge

It is normal for the pointer on your fuel gauge to bounce as fuel sloshes back and forth in the fuel tank.

## Chapter 5: Navigation Equipment

Read the manuals for all navigation and communication equipment before using these systems.

### Depth Finder (If Equipped)



#### **WARNING**

- Do NOT use the depth finder as a navigational aid to prevent collision, grounding, boat damage or personal injury.
- When your boat is moving, submerged objects will NOT be seen until they are already under your boat.
- Bottom depths may change too quickly to allow time for your boat to react.
- If you suspect shallow water or submerged objects, run your boat at very slow speeds.

## Chapter 6: Plumbing

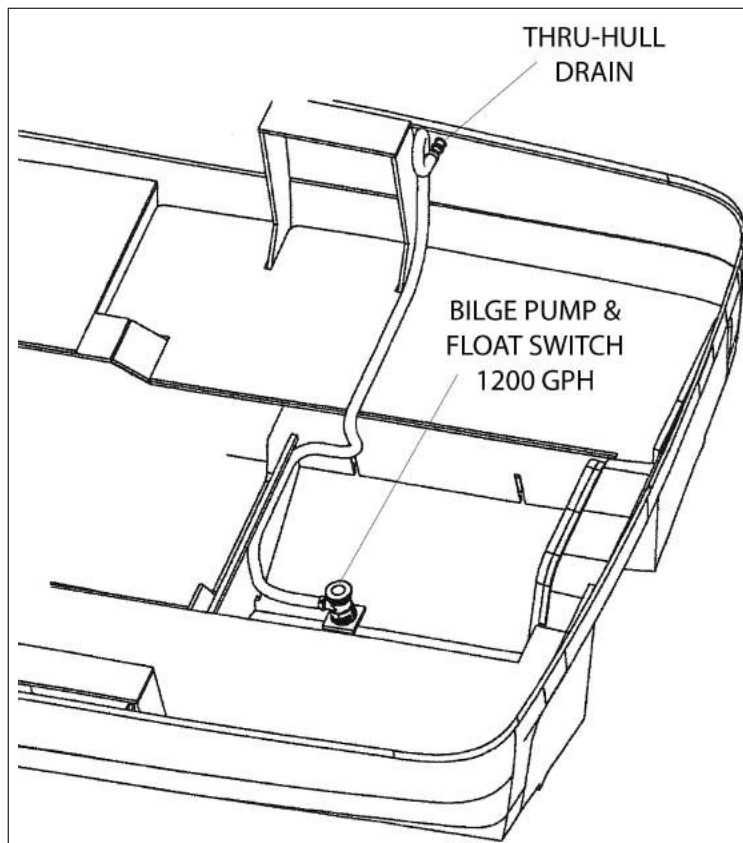
### Bilge Pump

Your boat has a bilge pump for pumping water out of the bilge.

#### NOTICE

Discharge of oil, oil waste, or fuel into navigable waters is prohibited by law. Violators are subject to legal action by the local authorities.

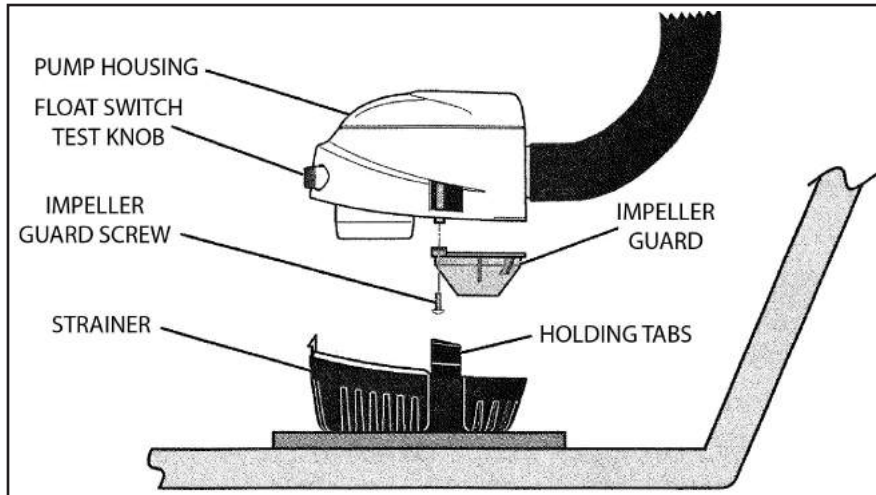
- The pump's built-in float switch turns On the bilge pump if bilge water rises above a preset level. Small amounts of water in the bilge are normal.
- You can also turn On the bilge pump using the switch at the helm.
- The bilge pump is wired directly to the battery. Unless the battery is dead, the bilge pump should work even when your boat is unattended.



## Bilge Pump Testing

The bilge pump is vital to the safety of your boat. Test the bilge pump often as follows:

1. Turn On the bilge pump switch at the helm.
2. Make sure that water in the bilge is pumped overboard.
3. If there is water in the bilge and the pump motor is running but not pumping water, inspect the discharge hose for a kink or collapsed area.
4. If the discharge hose looks okay, check the bilge pump and strainer for clogging debris.



## Drain System

### Deck Drains

Water on the deck is drained overboard through the deck drains. Keep the deck drains free of debris.

## Livewell System (If Equipped)

### **! WARNING**

#### **FLOODING and SWAMPING HAZARD!**

- Close the seacocks when leaving your boat unattended for any length of time.
- If a seacock is left open, a hose failure could flood the bilge, swamp the batteries, and even sink your boat.
- **BEFORE** using any system that has a seacock, make sure that the system's seacock is Open.
- Inspect and lubricate all seacocks annually.

Read the Livewell System section in the *Sport Boat Owner's Manual*.

Filling and Using the Livewell:

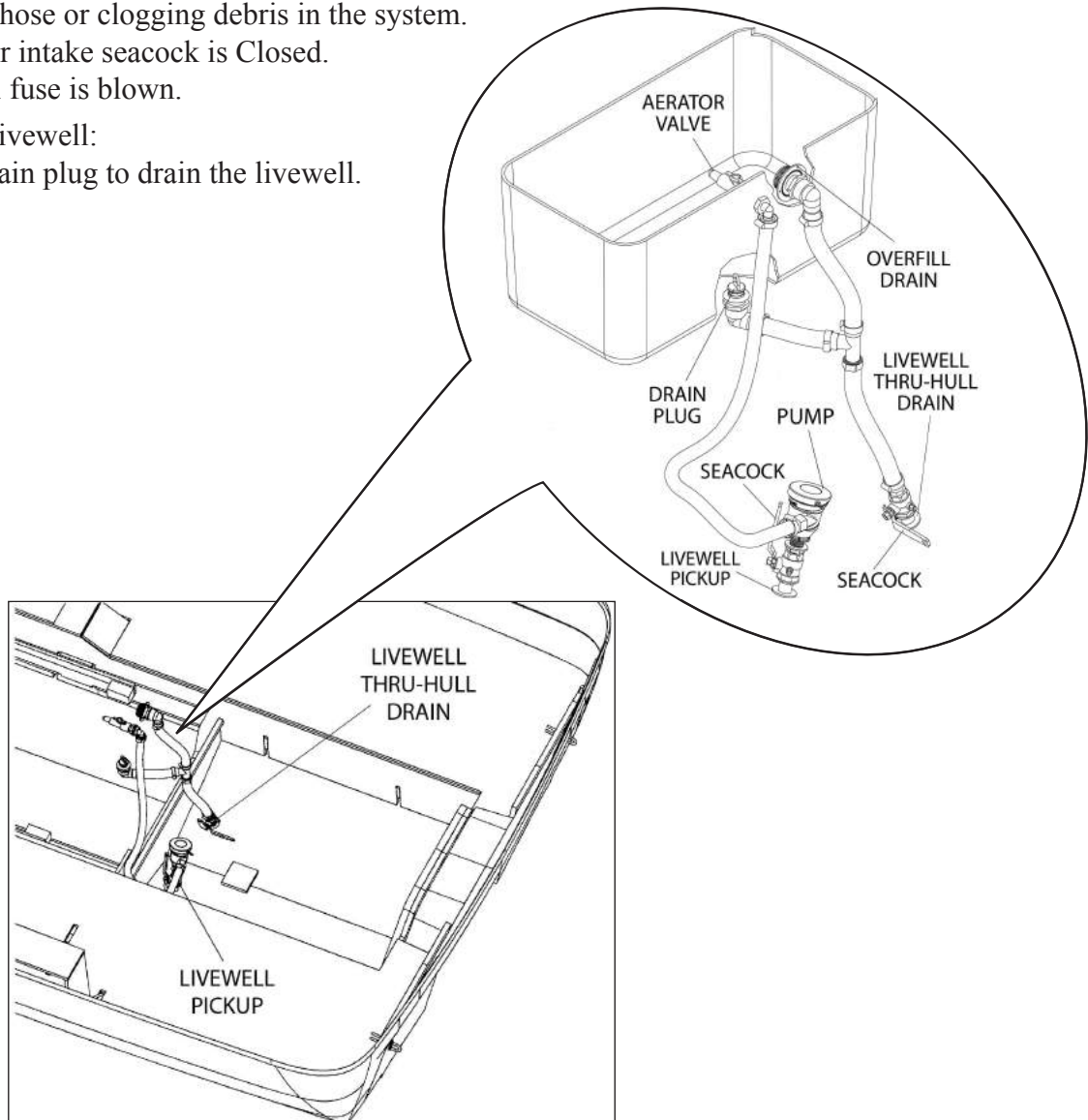
1. Insert the drain plug into the drain fitting at the bottom of the tank.
2. Open the seacocks.
3. Turn On the ACCESSORY switch on the helm port switch panel.

The tank should now be filling with water. If water is not pumping into the tank, possible causes are:

- A collapsed hose or clogging debris in the system.
- The seawater intake seacock is Closed.
- The livewell fuse is blown.

To Drain the Livewell:

Remove the drain plug to drain the livewell.



## Freshwater System (If Equipped)

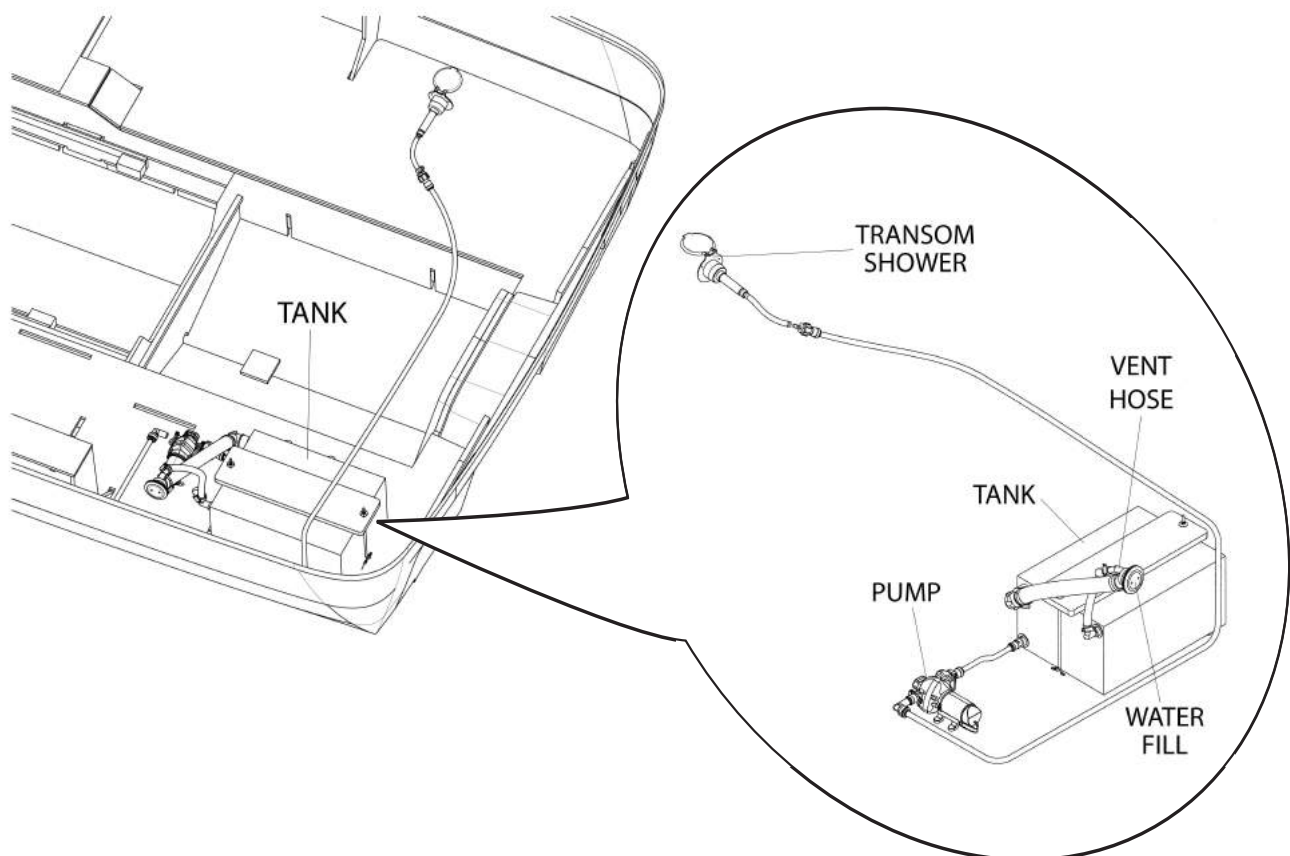


### WARNING

- ONLY use safe drinking (potable) water in your boat's freshwater system.
- ONLY use FDA approved "drinking water safe" hoses when filling the freshwater tank.
- NEVER use common garden hoses for drinking water.

Read the Freshwater System section in the *Sport Boat Owner's Manual*.

- The freshwater fill deck fitting is marked WATER.
- Pressurize the freshwater system by turning On the freshwater pump switch on the helm.
- The freshwater pump switch is marked ACCESSORY on the helm starboard switch panel.
- Turn Off the freshwater pump switch when your boat is not in use or when the freshwater tank is empty.
- Inspect and clean the freshwater filter often (the filter is located on the freshwater pump).
- If your boat is to be left unattended for a long period of time, pump the freshwater tank dry to prevent stored water from becoming stagnant and distasteful.
- If the freshwater system needs to be disinfected, ask your dealer about treatments available for your boat's system.

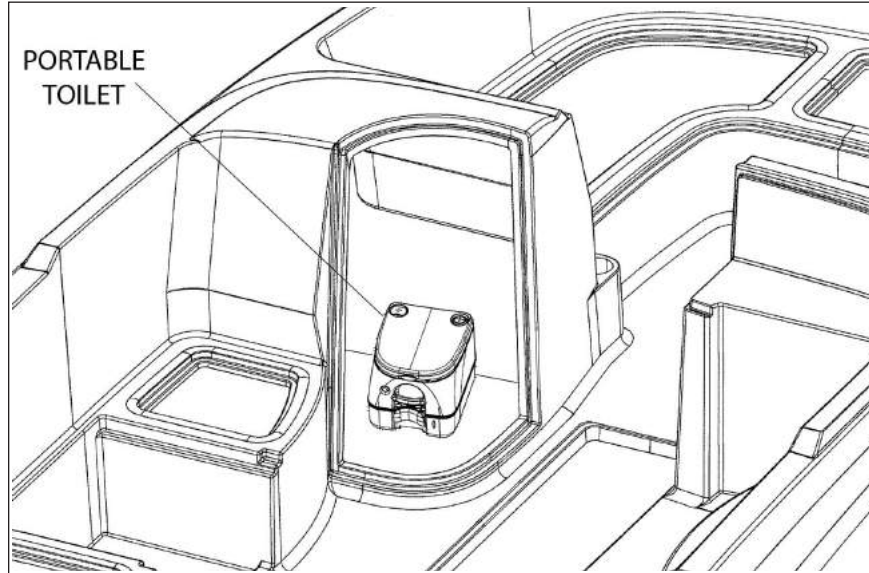


## Portable Toilet (If Equipped)

### NOTICE

Check with local authorities about the legal use of marine head systems.

Read the manufacturer's operating instructions before using the portable toilet.



## Chapter 7: Deck Equipment

### Cleats and Bow/Stern Eyes



#### WARNING

**PERSONAL INJURY and/or PRODUCT or PROPERTY DAMAGE HAZARD!**

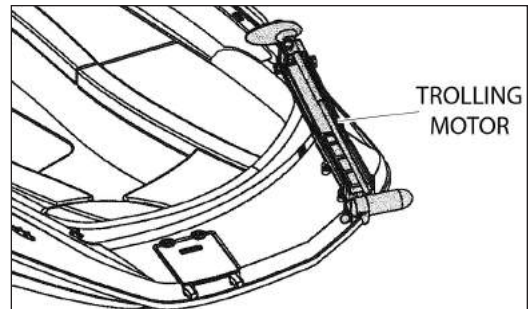
NEVER lift your boat using the bow/stern eyes or the cleats.

Read the section on towing in the *Sport Boat Owner's Manual* before:

- Towing anything behind your boat
- Being towed by another vessel

### Bow Mount Trolling Motor (If Equipped)

Read the manufacturer's instruction manual before using the trolling motor.



### Ski-Tow Ring



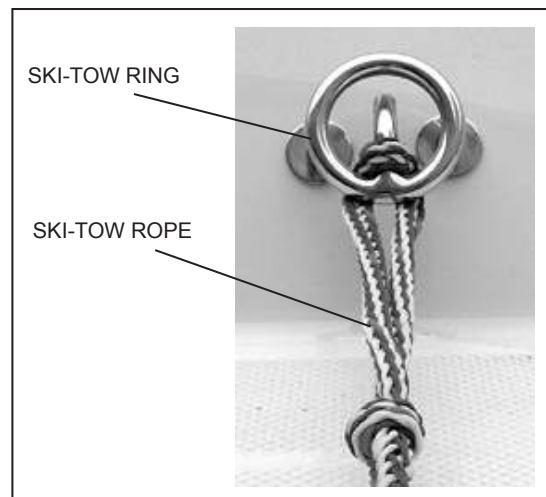
#### WARNING

**PERSONAL INJURY and/or PRODUCT or PROPERTY DAMAGE HAZARD!**

Failure to follow these guidelines can result in injury or death:

- ONLY tow water skis, wakeboards, or recreational towables.
- Do NOT tow parasails, kites, or other boats.
- Do NOT tow more than two persons at one time.
- Use caution with skier in tow as tow rope may snap back into cockpit when released.

Attach the ski-tow rope as shown in the photo.





## Ski-Tow Tower (If Equipped)

### **WARNING**

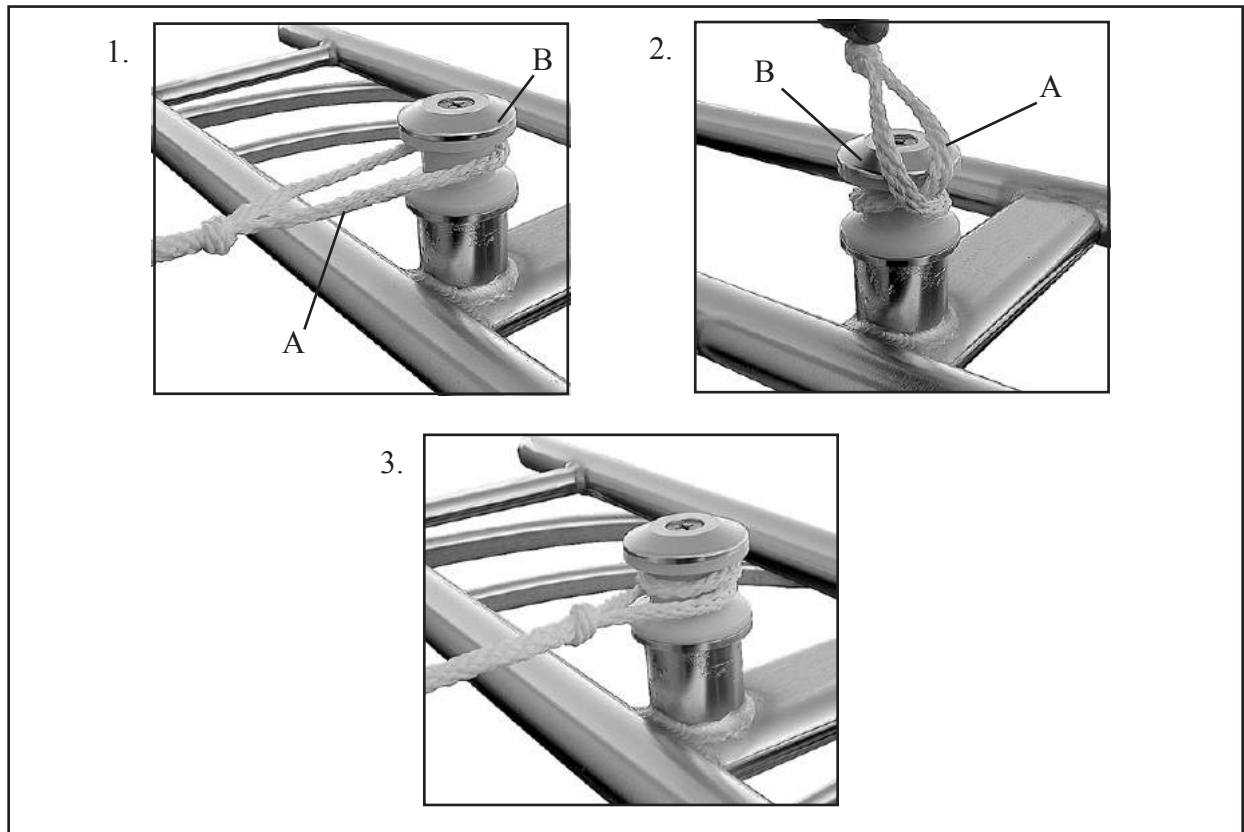
#### **PERSONAL INJURY and/or PRODUCT or PROPERTY DAMAGE HAZARD!**

Failure to follow these guidelines can result in injury or death:

- Read ALL warning labels on ski-tow tower.
- BEFORE each use of the boat and BEFORE each use of the folding ski-tow tower, make sure the lock-down bolts are tightened firmly.
- ONLY tow water skis, wakeboards, or kneeboards.
- Do NOT exceed the MAXIMUM tow weight of 400 pounds.
- Do NOT tow parasails, kites, tubes, rafts or other boats.
- Do NOT tow more than one person at a time.
- Do NOT climb on, sit on, stand on, jump off or dive off tower.
- NEVER allow passengers to sit behind tow rope attachment point.
- Use caution with skier in tow as tow rope may snap back into cockpit when released.
- NEVER allow loose tow rope ends to dangle off tower.
- When tower is up, watch for low obstacles such as tree limbs, bridges, or power lines.

### Attaching the Ski-Tow Rope

1. Place the ski-tow rope's loop (A) over the ski-tow pylon (B).
2. Put a twist in the ski-tow rope's loop (A) and slide the loop over the ski-tow pylon (B) again.
3. Pull firmly on the ski-tow rope to tighten.



## Folding the Ski-Tow Tower

### **WARNING**

#### **PERSONAL INJURY and/or PRODUCT or PROPERTY DAMAGE HAZARD!**

- Folding or unfolding the ski-tow tower is a two person task.
- Before each use of the ski-tow tower, make sure both lock-down bolts are tightened firmly.
- Read ALL warning labels on the ski-tow tower.

#### **To fold the ski-tow tower into the storage position:**

1. Remove the lock-down bolt (A) on each side of the tower.
2. Carefully fold the tower forward.
3. For storage, screw the lock-down bolts into the bases (B).

#### **To return the ski-tow tower to the towing position:**

1. Perform the above steps in reverse order.
2. Make sure both lock-down bolts are tightened firmly.



#### **Tower Care**

Read the manufacturer's *Care of Tower* information.

## Canvas (If Equipped)

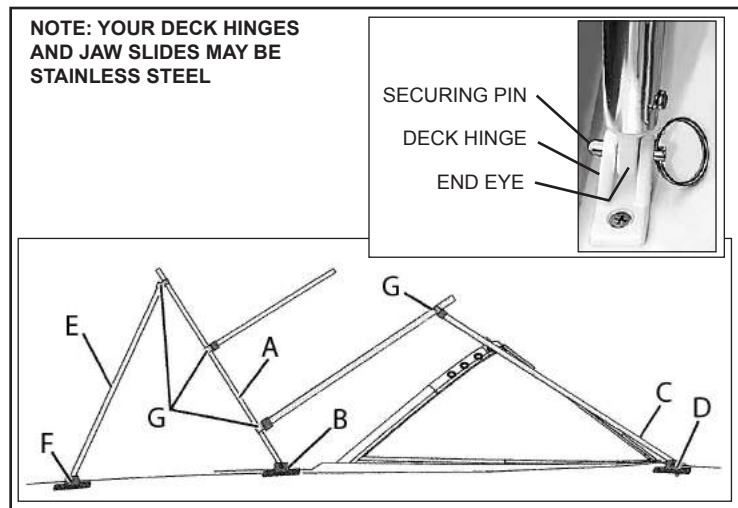
### ! CAUTION

#### PRODUCT or PROPERTY DAMAGE HAZARD!

Take down and securely stow ALL canvas and vinyl BEFORE your boat is transported by road.

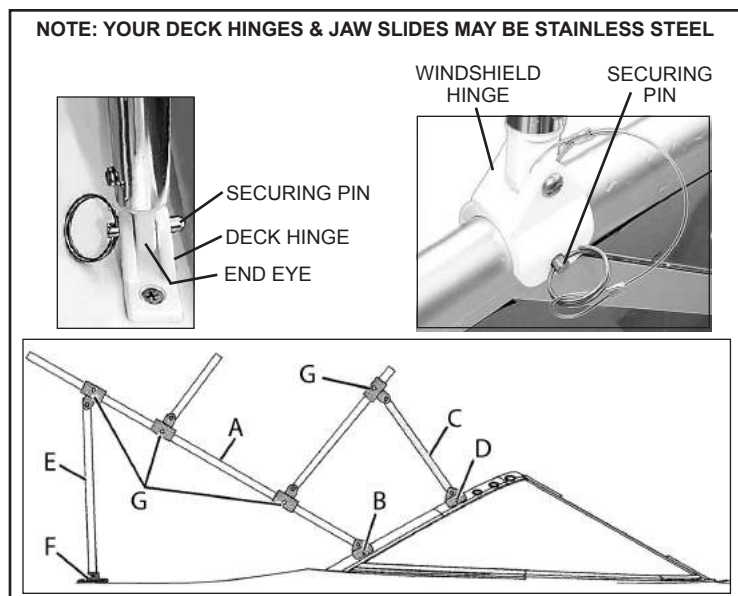
### Bimini Top: Option A (If Equipped)

1. Insert the end eyes of the main bow (A) into the middle deck hinges (B) and insert the securing pins.
2. Unfold the canvas and insert the end eyes of the forward braces (C) into the forward deck hinges (D) and insert the securing pins.
3. Insert the end eyes of the aft braces (E) into the aft deck hinges (F) and insert the securing pins.
  - The jaw slides (G) should not need to be adjusted.
  - If you decide to adjust the jaw slide positions, obtain the correct measurements from your selling dealer.



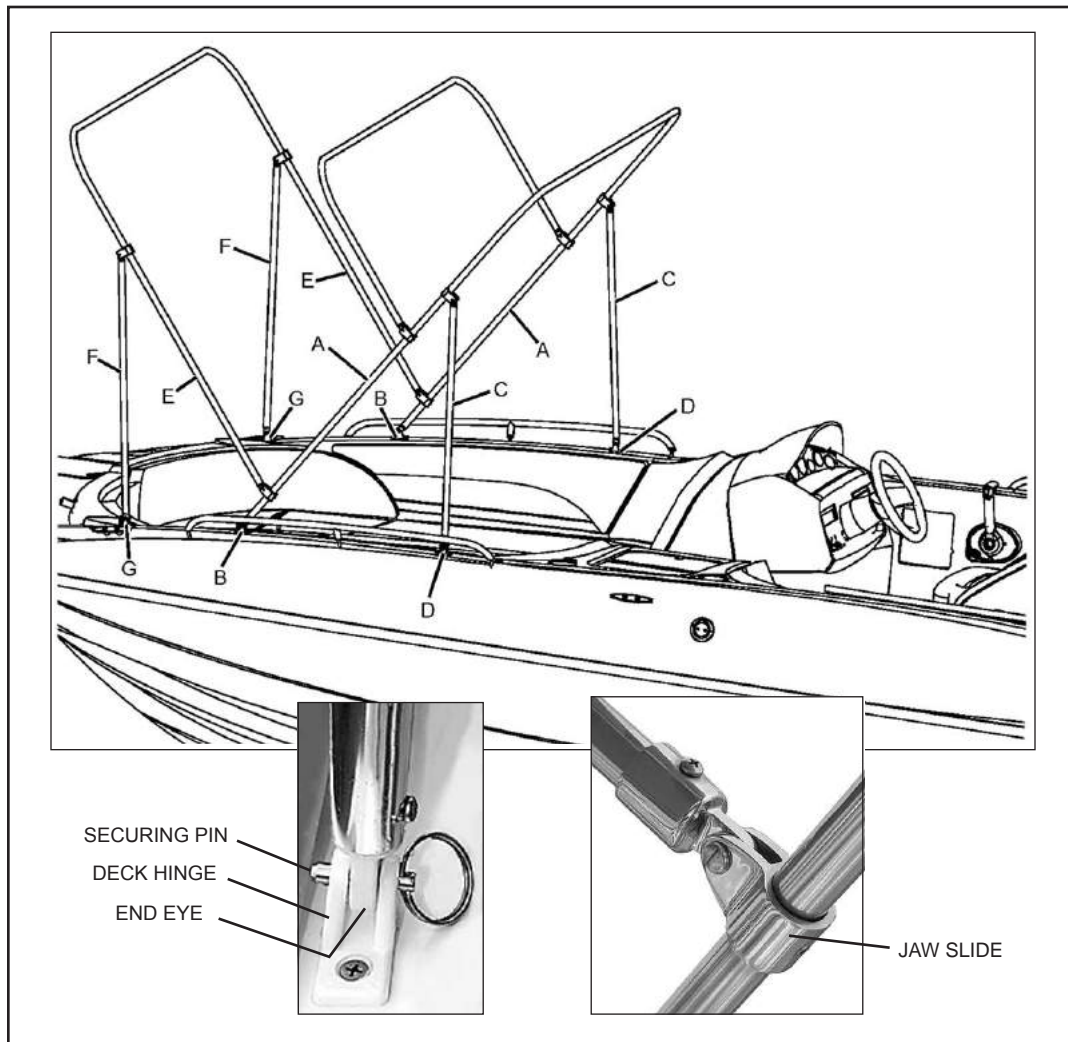
### Bimini Top: Option B (If Equipped)

1. Slide the windshield hinges of the main bow (A) over the aft pre-drilled holes (B) in the side windshield frames and insert the securing pins.
2. Unfold the canvas and slide the windshield hinges of the forward braces (C) over the forward pre-drilled holes (D) in the side windshield frames and insert the securing pins.
3. Insert the end eyes of the aft braces (E) into the deck hinges (F) and insert the securing pins.
  - The jaw slides (G) should not need to be adjusted.
  - If you decide to adjust the jaw slide positions, obtain the correct measurements from your selling dealer.



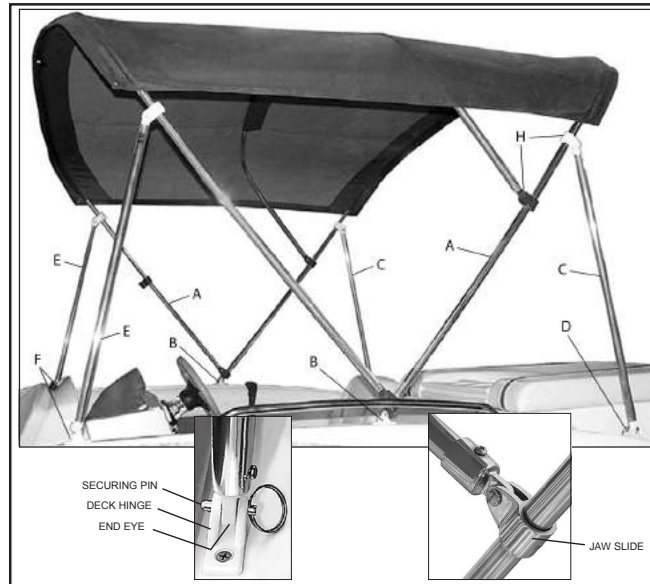
### Forward Bimini Top (If Equipped)

1. Insert the end eyes of the main bow (A) into the deck hinges (B) and insert the securing pins.
  2. Insert the end eyes of the aft braces (C) into the deck hinges (D) and insert the securing pins.
  3. Pull the secondary bow (E) forward and insert the end eyes of the forward braces (F) into the deck hinges (G) and insert the securing pins.
- The jaw slides should not need to be adjusted.
  - If you decide to adjust the jaw slide positions, get the correct measurements from your selling dealer.



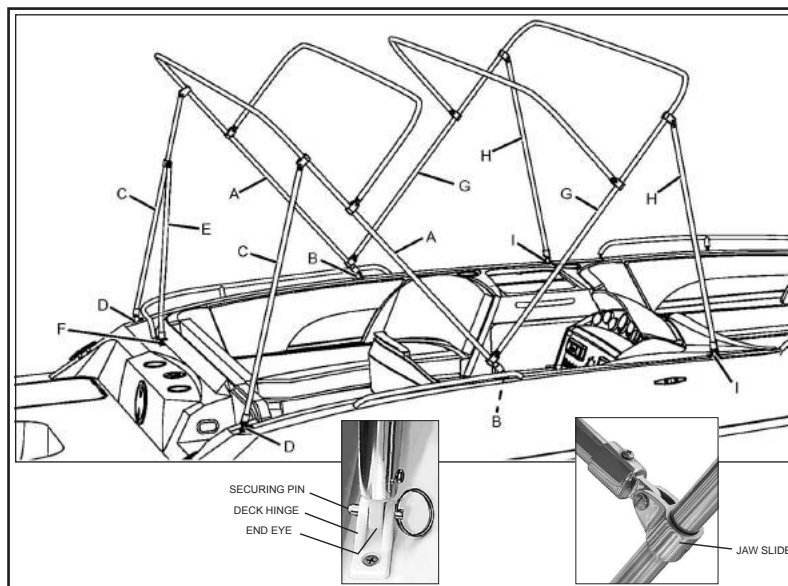
### Aft Bimini Top (Option A)

1. Insert the end eyes of the main bow (A) into the deck hinges (B) and insert the securing pins.
  2. Insert the end eyes of the aft braces (C) into the deck hinges (D) and insert the securing pins.
  3. Unfold the canvas and insert the end eyes of the forward braces (E) into the deck hinges (F) and insert the securing pins.
- The jaw slides should not need to be adjusted.
  - If you decide to adjust the jaw slide positions, obtain the correct measurements from your selling dealer.

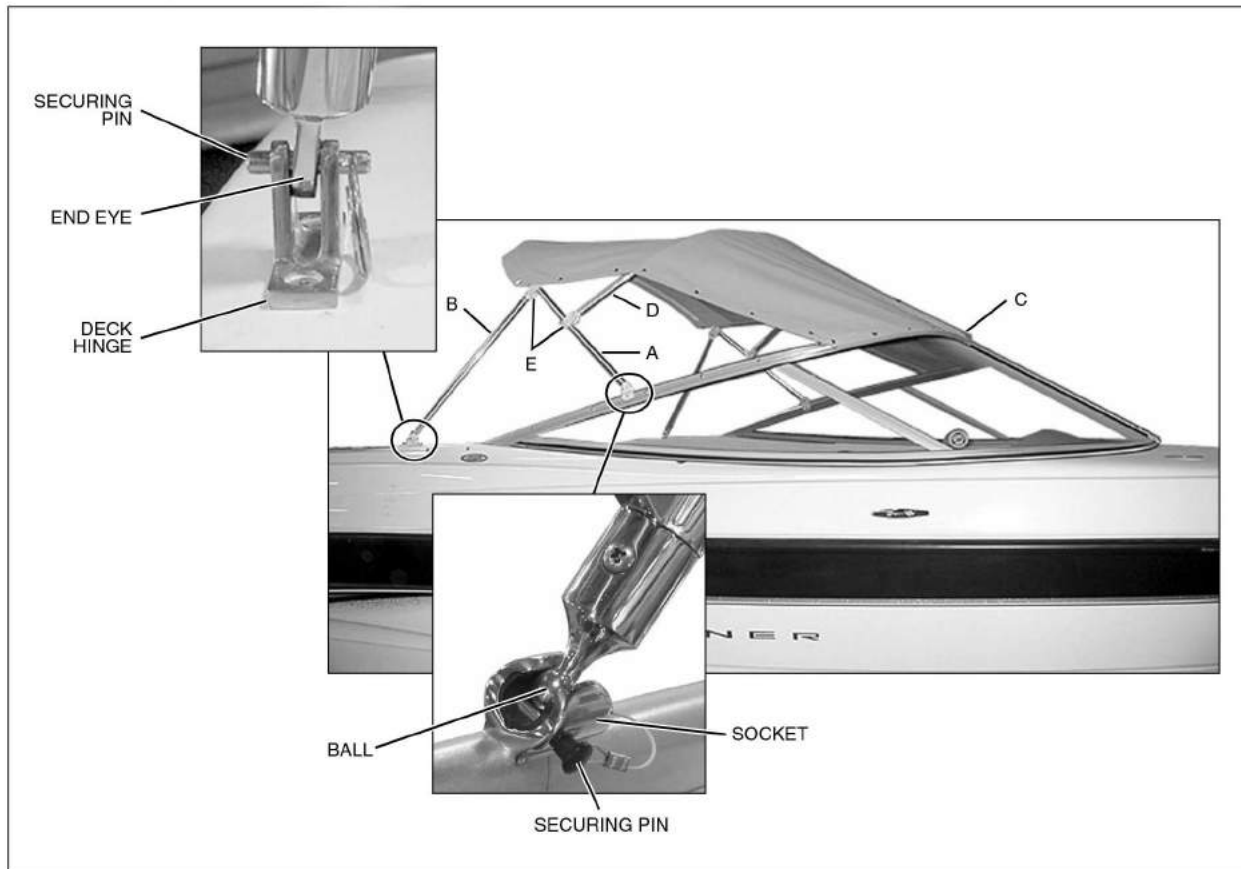


### Aft Bimini Top (Option B)

1. Insert the end eyes of the main bow (A) into the deck hinges (B) and insert the securing pins.
  2. Insert the end eyes of the aft braces (C) into the deck hinges (D) and insert the securing pins.
  3. Insert the end eye of the port stern support (E) into the deck hinge (F) and insert the securing pin.
  4. Pull the secondary bow (G) forward and insert the end eyes of the forward braces (H) into the deck hinges (I) and insert the securing pins.
- The jaw slides should not need to be adjusted.
  - If you decide to adjust the jaw slide positions, get the correct measurements from your selling dealer.



## Convertible Top (If Equipped)



1. Insert the balls of the main bow (A) into the sockets on the windshield frame and secure them with the pins.
2. Insert the end eyes of the aft braces (B) into the deck hinges and secure them with the pins.
3. Unfold the canvas top and snap the front edge of the top (C) to the windshield frame.
4. Align the secondary bow (D) with the center seam of the canvas by loosening or tightening the top straps.
  - The jaw slides (E) should not need to be adjusted.
  - If you decide to adjust the jaw slide position, get the correct measurements from your selling dealer.

### Bow Cover (If Equipped)

1. Snap the two forward snaps (A) to the deck.
2. Snap the bow cover to the entire port side.



3. On the starboard side, only snap the forward half of the bow cover to the deck.
4. Insert the adjustable, center support pole (B) into both the bow cover and the table base (C).
5. Adjust the support pole so that it is just high enough to stay inserted in the bow cover.



6. Snap the rest of the bow cover to the deck.
7. Adjust the support pole to take any slack out of the bow cover.



## Canvas Care

- After each use, especially in saltwater, rinse the canvas with cold freshwater.
- Before stowing, let the canvas air-dry completely.
- The canvas can be rolled or folded for stowage.

### Cleaning the Canvas



## CAUTION

NEVER use detergents when washing the canvas. Detergents can destroy the water repellency, and mildew/UV resistant finish of your canvas.

Regularly clean the canvas to prevent dirt, pollen, etc. from embedding in the fabric. Generally, it is easiest to wash the canvas while it is installed on your boat.

1. Use a soft-bristled brush to remove all dust and loose dirt.
2. Hose down the canvas with freshwater.
3. Gently wash the canvas with a solution of lukewarm water (no more than 100° F) and non-detergent mild soap, such as Ivory Snow<sup>®</sup>, Dreft<sup>®</sup>, or Woolite<sup>®</sup>.
4. Rinse thoroughly to remove the soap.
5. Before stowing, let the canvas dry completely.

### Stubborn Stains



## CAUTION

Soaking in bleach solutions may remove the waterproof finish of the fabric and may also decrease the life of the polyester thread used in the canvas. If needed, a water repellent treatment should be reapplied to your canvas. Ask your dealer about the treatments available for your boat's canvas.

Some stubborn stains may resist normal washing and you can try the methods below. However, these methods may remove the waterproof finish of the fabric and may also decrease the life of the polyester thread used in the canvas. Reapply a water repellent treatment as needed.

#### Method 1:

1. Add 1/8 cup (1 oz.) of non-chlorine bleach to one gallon of water and mix thoroughly.
2. Thoroughly wet the canvas and then gently scrub the stained area with the weak bleach solution.
3. Rinse with cold water to remove all of the solution.

#### Method 2:

1. Add 1/2 cup (4 oz.) of non-chlorine bleach and 1/2 cup (4 oz.) Ivory Snow<sup>®</sup>, Dreft<sup>®</sup>, or Woolite<sup>®</sup> to one gallon of water and mix thoroughly.
2. Soak the canvas in this solution for about 20 minutes.
3. Rinse with cold water to remove all of the solution.



## Chapter 8: Entertainment System

### Audio System (If Equipped)

#### **NOTICE**

AM radio reception may be impaired when the engine is running.

Read the manufacturer's instruction manual before using the audio equipment.

## Chapter 9: Convertible Seats, Beds, and Tables

### ! WARNING

**FALLING and PRODUCT DAMAGE HAZARD!**  
NEVER allow anyone to step-on or stand-on a sleeper seat in the lounge position.

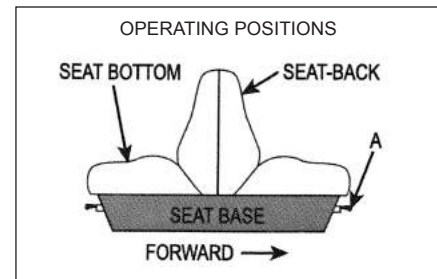
### Sleeper Seats (If Equipped)

- The sleeper seats can be moved forward and aft while in the upright, operating position.
- The sleeper seats can also be converted into a flat lounge or chaise lounge.

### Operating Positions

To slide the seat forward and backward:

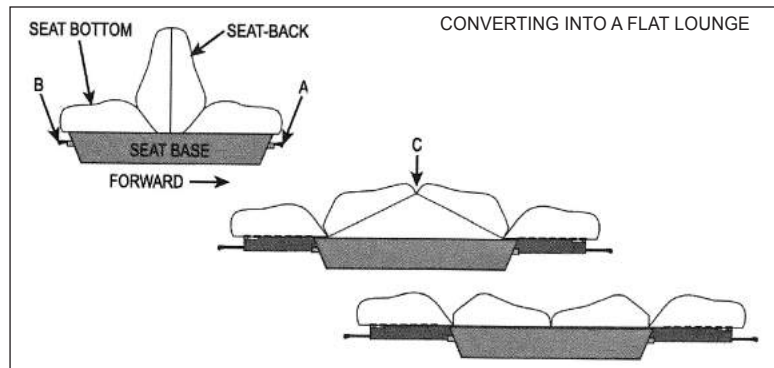
1. Pull up on the forward seat slider lever (A).
2. Slide the seats forward or aft to the desired position.



### Lounge Positions

To convert into a flat lounge:

1. Pull up on the forward seat slider lever (A) and slide the seats all the way forward.
2. Push down on the aft seat slider lever (B) and slide the aft seat all the way aft.
3. If necessary, push down on the top of the seat-backs (C).

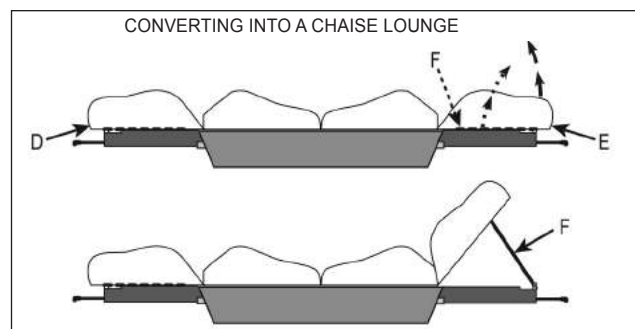


To convert into a chaise lounge:

First, convert the seats into a flat lounge as described above.

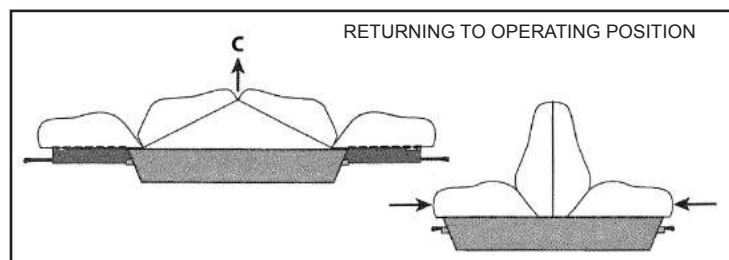
Lift the forward or aft seat bottom at point (D or E) and then lift the plastic seat support bracket (F).

Lower the seat until it rests securely on the support bracket.



To return the seats to the operating position:

1. Lift the seat-backs at point (C) and push the seat bottoms towards the center of the seat until the seat-backs are flush against each other and locked into place.
2. Push the seat bottoms towards the center of the seat until the seat-backs are flush against each other and locked into place.



## Sunlounge to Transom Seating Conversion

### **! DANGER**

#### **PERSONAL SAFETY HAZARD!**

NEVER allow anyone to occupy the aft sunlounge cushions when the engine is running.

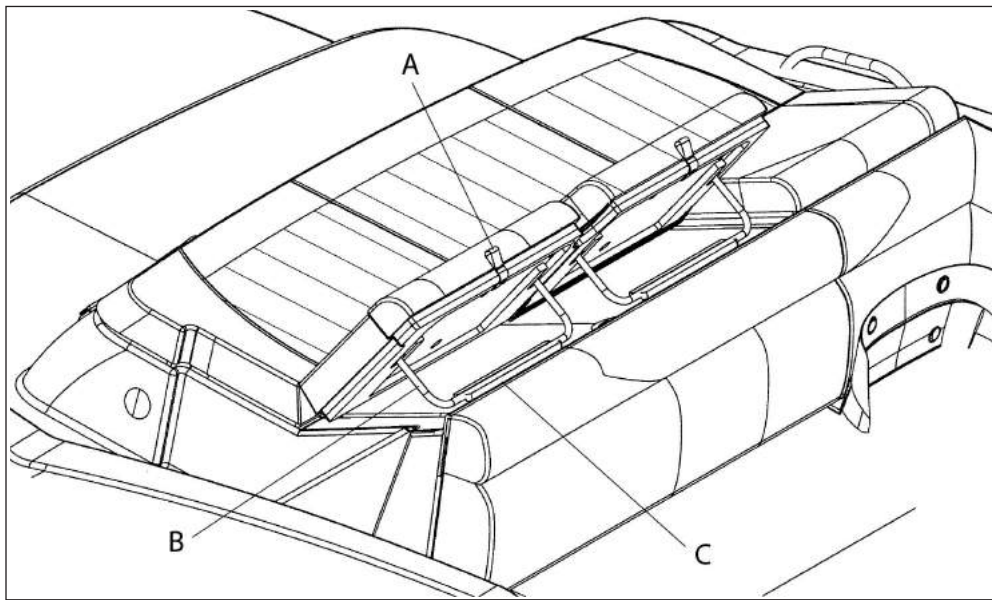
### **! WARNING**

#### **FALLING and PRODUCT DAMAGE HAZARD!**

NEVER allow anyone to step-on or stand-on a seat in the chaise lounge position.

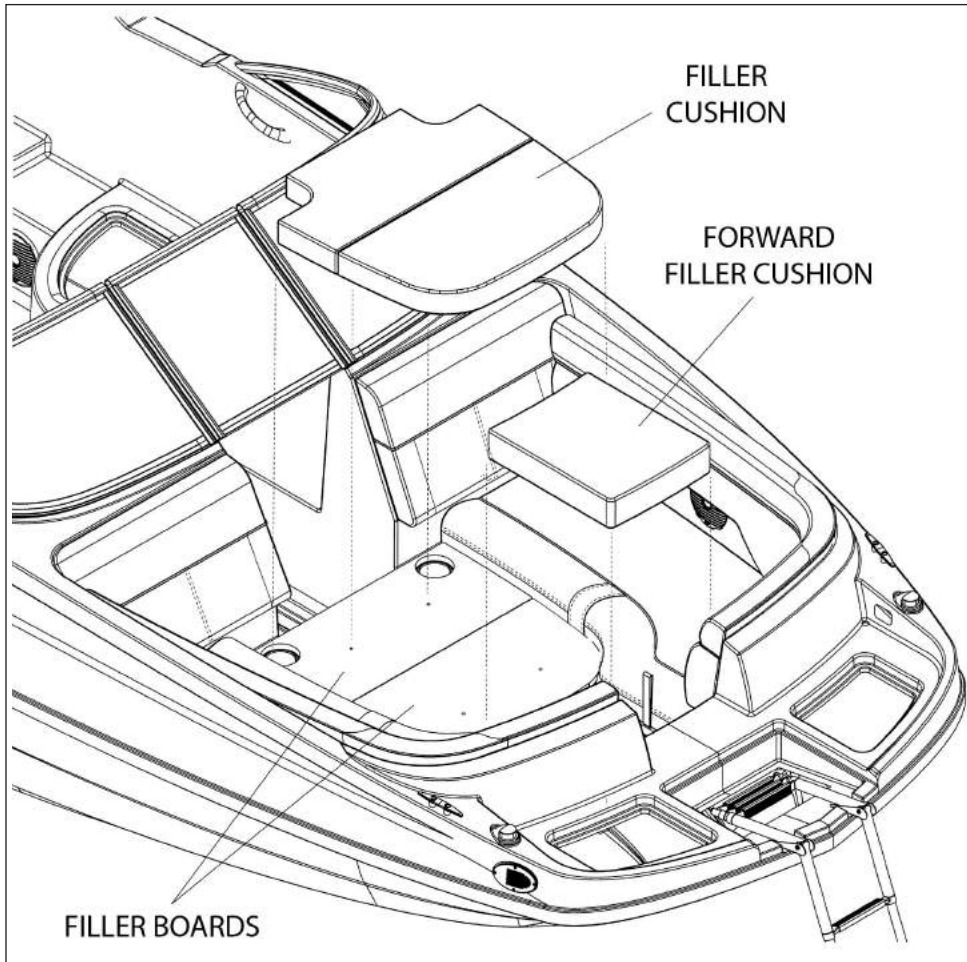
To convert into a chaise lounge:

1. Pull up on the sunlounge cushion pull strap (A).
2. Insert the support bar (B) securely in the support bracket (C).



## Bow Filler Cushion (If Equipped)

Place the filler boards securely on the recessed edges of the seat cushion bases.



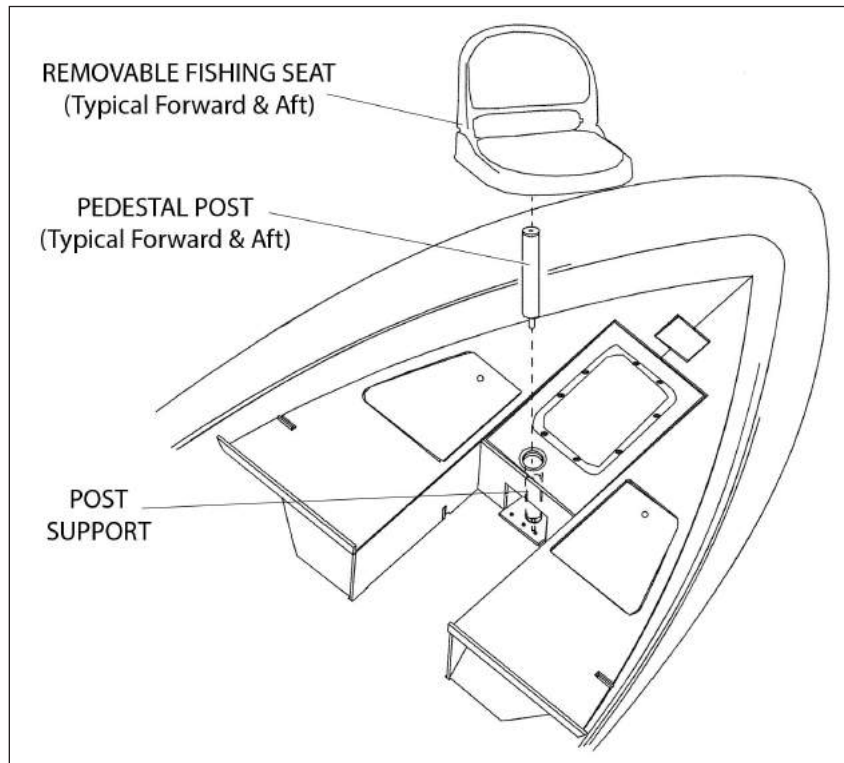
## Removable Fishing Seat (If Equipped)

### DANGER

#### PERSONAL SAFETY HAZARD!

- DO NOT allow anyone to ride on parts of the boat not designated for such use.
- Sitting on the fishing seat while underway is especially hazardous and WILL cause personal injury or death.

Remove and stow the fishing seat in a safe and secure area before getting underway or trailering your boat.



## Chapter 10: Lights

### Care and Maintenance

All of the lights installed on your boat are of top quality, but you should be aware that failure may periodically occur for a variety of reasons:

- There may be a blown fuse - *replace the fuse.*
- The bulb may be burned out - *carry spare replacement bulbs, making sure the wattage is correct.*
- A wire may be damaged or may have come loose - *repair as required.*
- The bulb base may be corroded - *clean the base and coat it with non-conductive electrical lubricant.*

### Interior and Exterior Lights

#### CAUTION

- Be conservative in the use of battery power.
- Prolonged use of cabin interior lights (overnight) WILL result in a drained battery.

- The lights are powered by your boat's 12-Volt DC system.
- The battery switch must be turned On for the lights to work.

### Navigation Lights

#### CAUTION

Avoid the storage of gear where it would block navigation lights from view.

#### NOTICE

Running lights are legally required to show boat direction and right-of-way at night.

Read the navigation light section in the *Sport Boat Owner's Manual*.

## Chapter 11: Electrical System

### **DANGER**

#### **EXTREME FIRE, SHOCK and EXPLOSION HAZARD!**

- NEVER install non-ignition protected switches or other arcing devices in the fuel compartment.
- NEVER substitute automotive parts for marine parts. Marine electrical, ignition, and fuel system parts were designed and manufactured to comply with rules and laws that minimize the risks of fire and explosion.
- NEVER change the electrical systems or relevant drawings.
- Allow ONLY trained personnel to install batteries and/or do electrical system work.

### **WARNING**

#### **FIRE and EXPLOSION HAZARD!**

Fuel vapors can explode! BEFORE turning on electrical devices or working on the electrical system:

Check the bilge areas for fuel vapors or leaking fuel. If you see leaking fuel or smell fuel vapors:

- Do NOT start the engine, do NOT turn On any electrical devices, put out ALL cigarettes, cigars, and other sources of flame or ignition.
- Get everyone off your boat.
- Get trained help to find and fix the problem.

### **CAUTION**

#### **SHOCK and ELECTRICAL SYSTEM DAMAGE HAZARD!**

When the engine is running, NEVER disconnect the battery cables. Doing so could cause damage to your boat's engine and/or electrical system.

### **NOTICE**

Electrical connections are prone to corrosion. To reduce corrosion-caused electrical problems:

- Keep ALL electrical connections clean.
- Apply a spray-on protectant that is designed to protect connections from corrosion.

## 12-Volt DC System

### Battery

The battery supplies electricity for lights, 12-Volt accessories and engine starting.

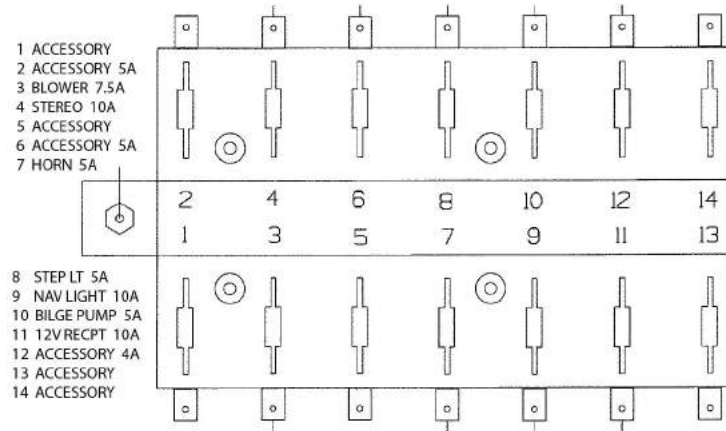
The Electrical section in the *Sport Boat Owner's Manual* provides battery care and maintenance instructions.

### Fuses

Replace fuses **ONLY** with a fuse of the same rating. Fuses for the accessories are on the fuse block.

See the Component Locations section in Chapter 2 for the location of the fuse block. Fuses for the engine control and gauges are on the engine. See the engine operation manual.

Some equipment may have secondary fuse protection at the unit or at the battery.



### 12-Volt DC Accessory Outlet (If Equipped)

#### ! CAUTION

Do NOT use the 12-Volt DC accessory outlet with a cigarette or cigar lighter. High temperatures may melt the outlet.

- The 12-Volt DC accessory outlet can be used with any 12-Volt device which draws 10-amps or less.
- The 12-Volt DC accessory outlet is protected by a 10-amp fuse on the fuse block.

See the Component Locations section in Chapter 2 for the location of the 12-Volt DC accessory outlet.

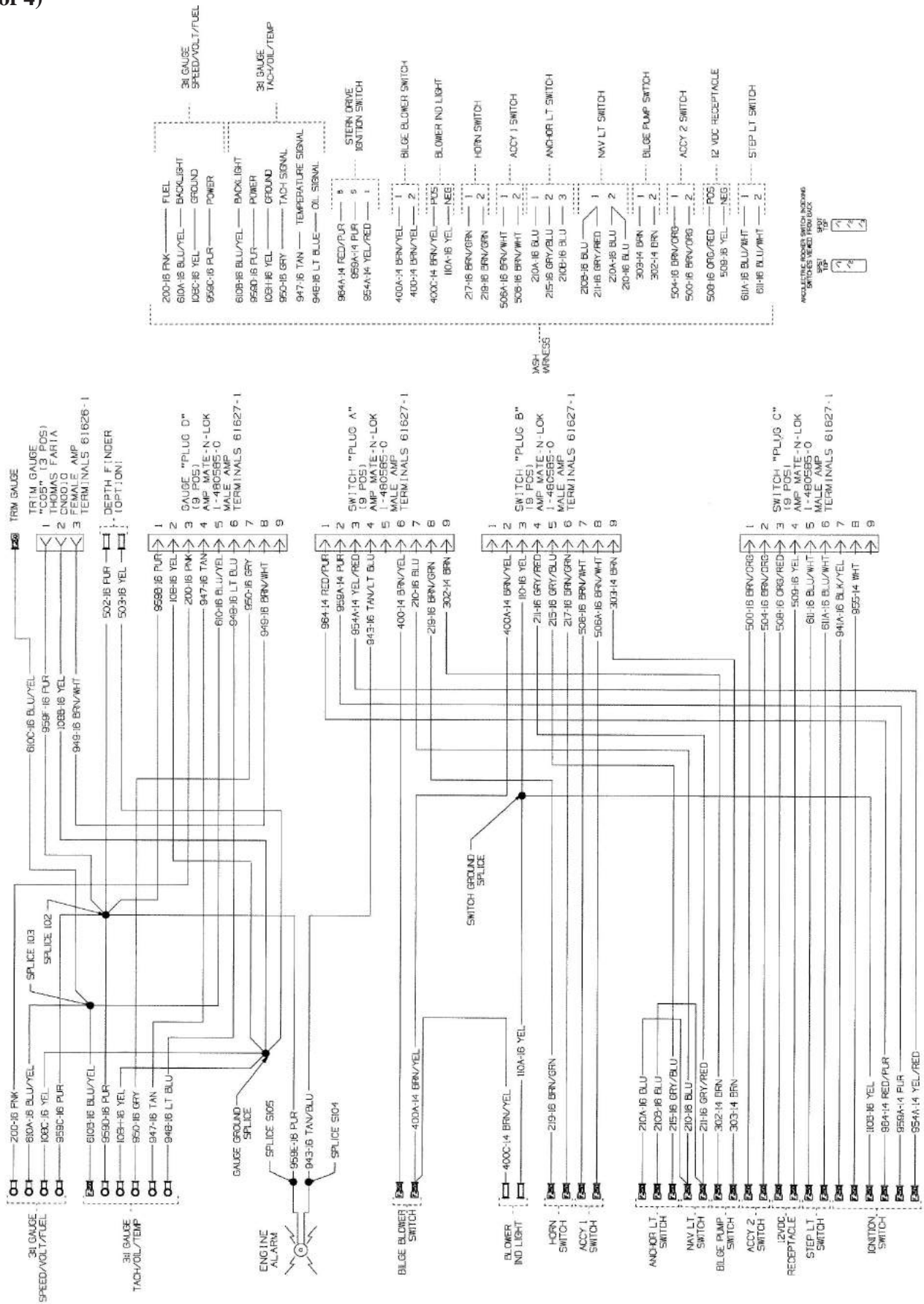
### Alternator

The alternator will keep the battery properly charged when the engine is running at, or above, cruising speeds.



# DC Wiring Schematics

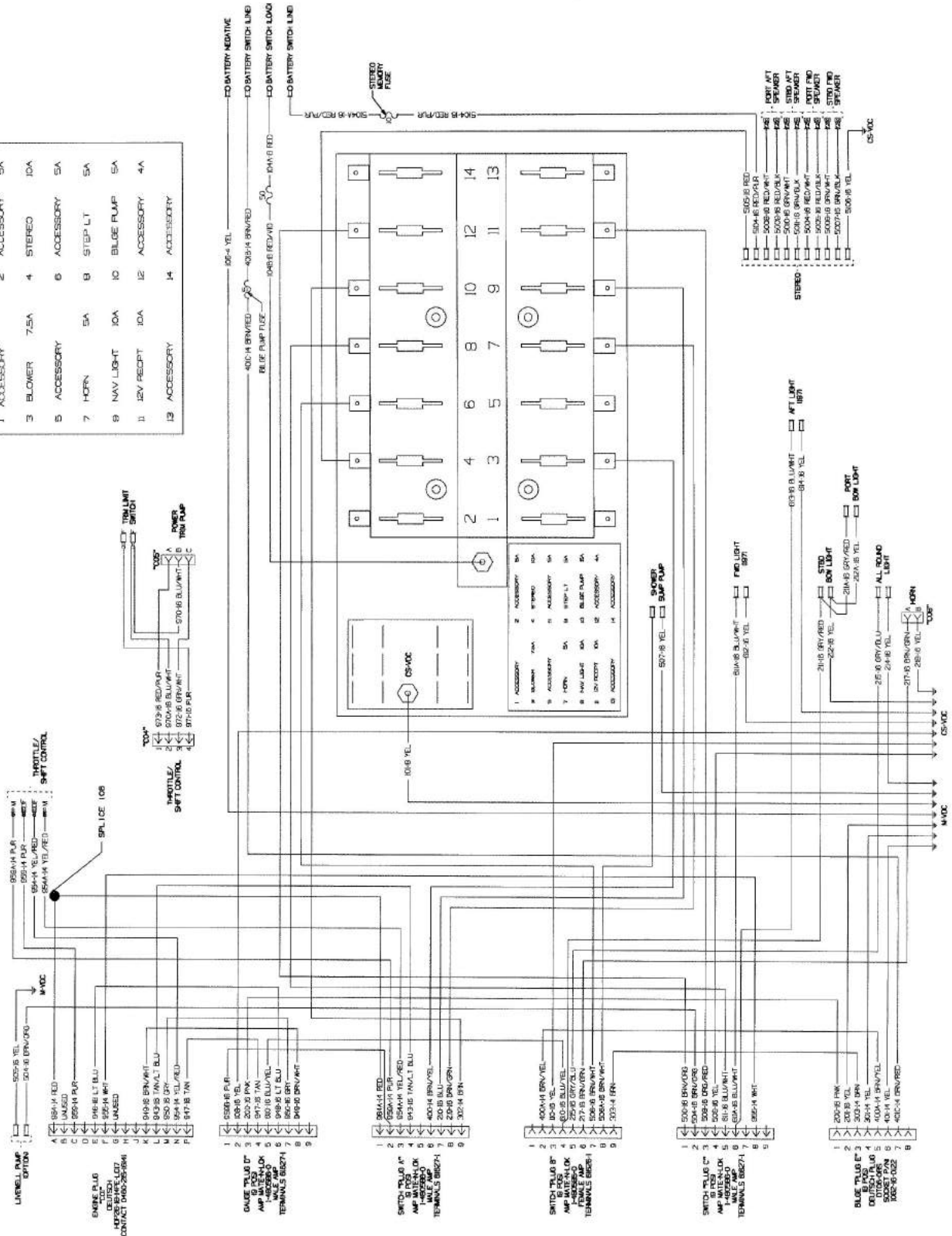
(1 of 4)



# DC Wiring Schematics (2 of 4)

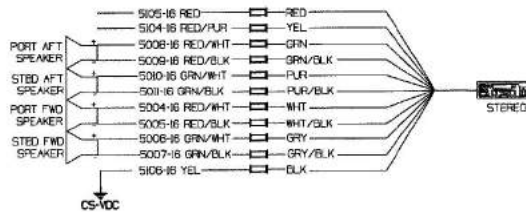
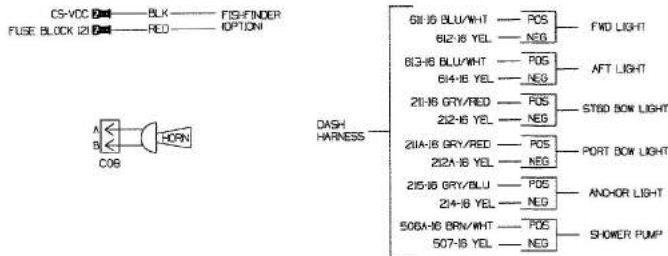
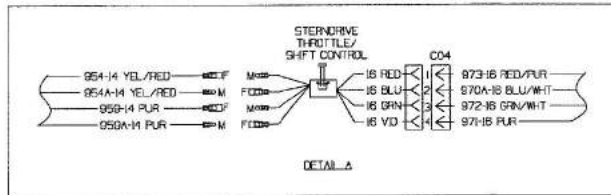
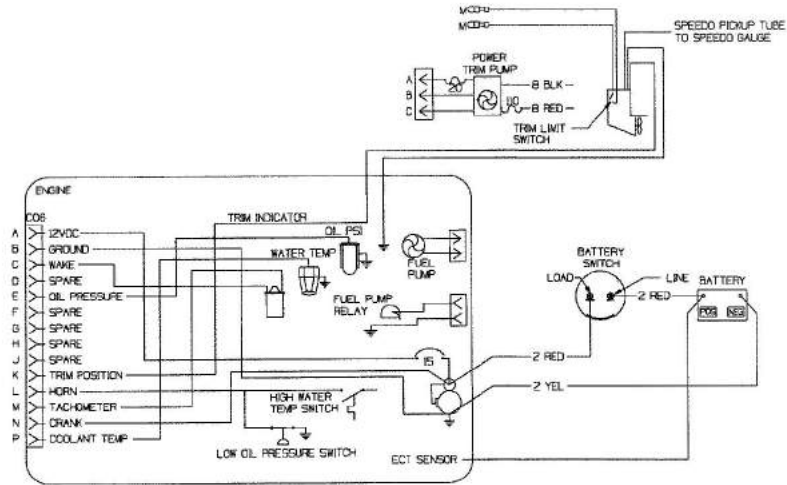
**FUSE VALUES**

|    |           |      |           |           |
|----|-----------|------|-----------|-----------|
| 1  | ACCESSORY | 2    | ACCESSORY | 5A        |
| 3  | BLOWER    | 7.5A | 4         | STEREO    |
| 5  | ACCESSORY | 6    | ACCESSORY | 5A        |
| 7  | HORN      | 5A   | 9         | STEP LT   |
| 9  | NAV LIGHT | 10A  | 10        | BLUE PUMP |
| 11 | 12V REPT  | 10A  | 12        | ACCESSORY |
| 13 | ACCESSORY | 14   | ACCESSORY | 4A        |



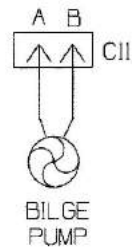
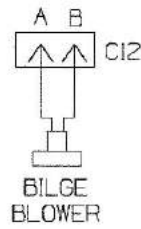
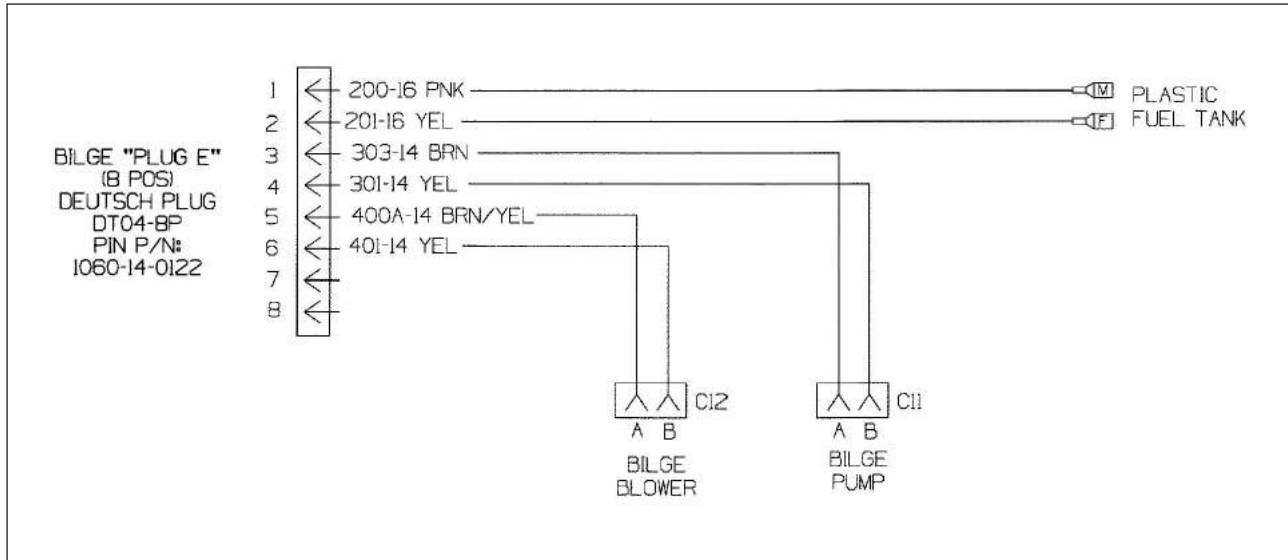
# DC Wiring Schematics

(3 of 4)



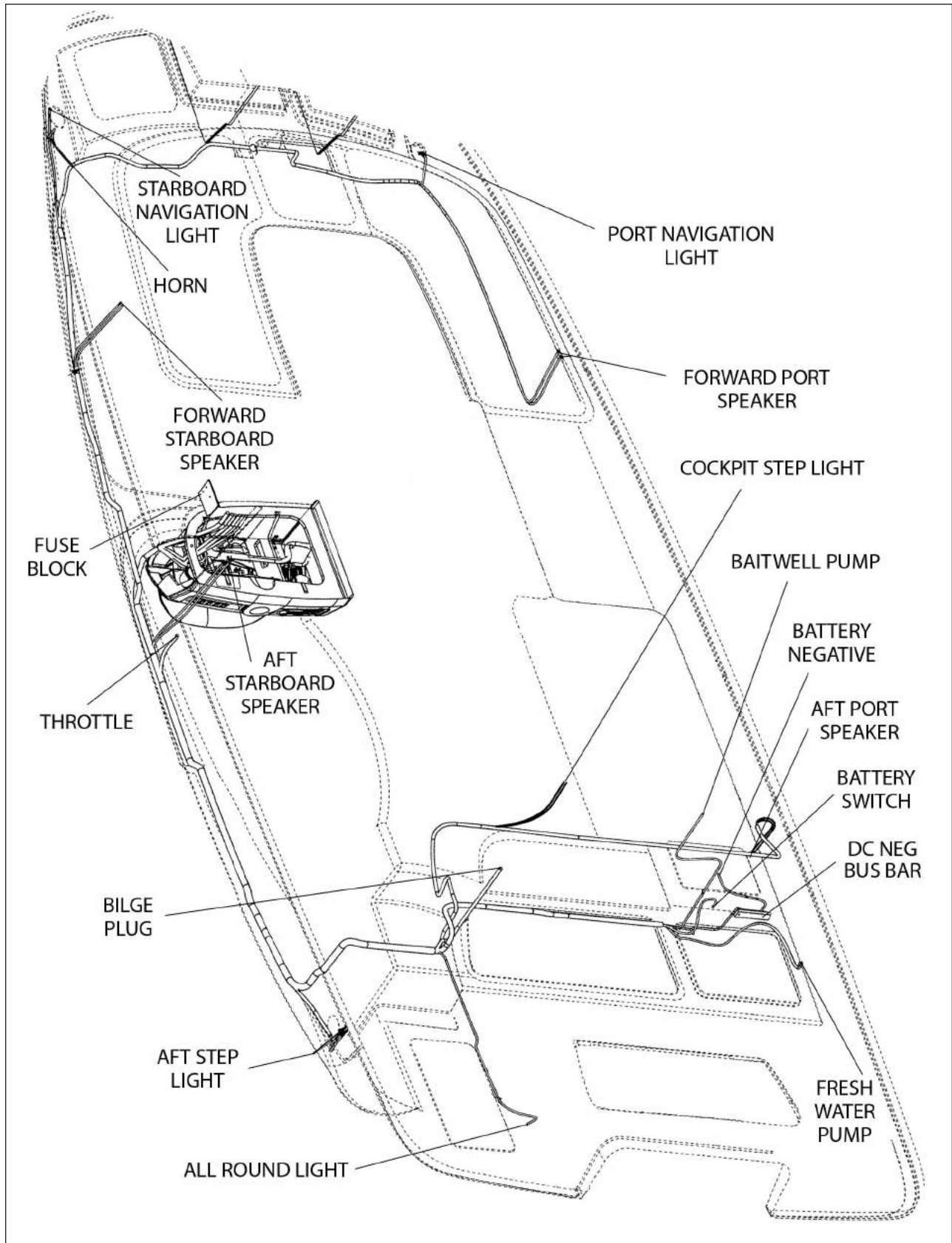
# DC Wiring Schematics

(4 of 4)



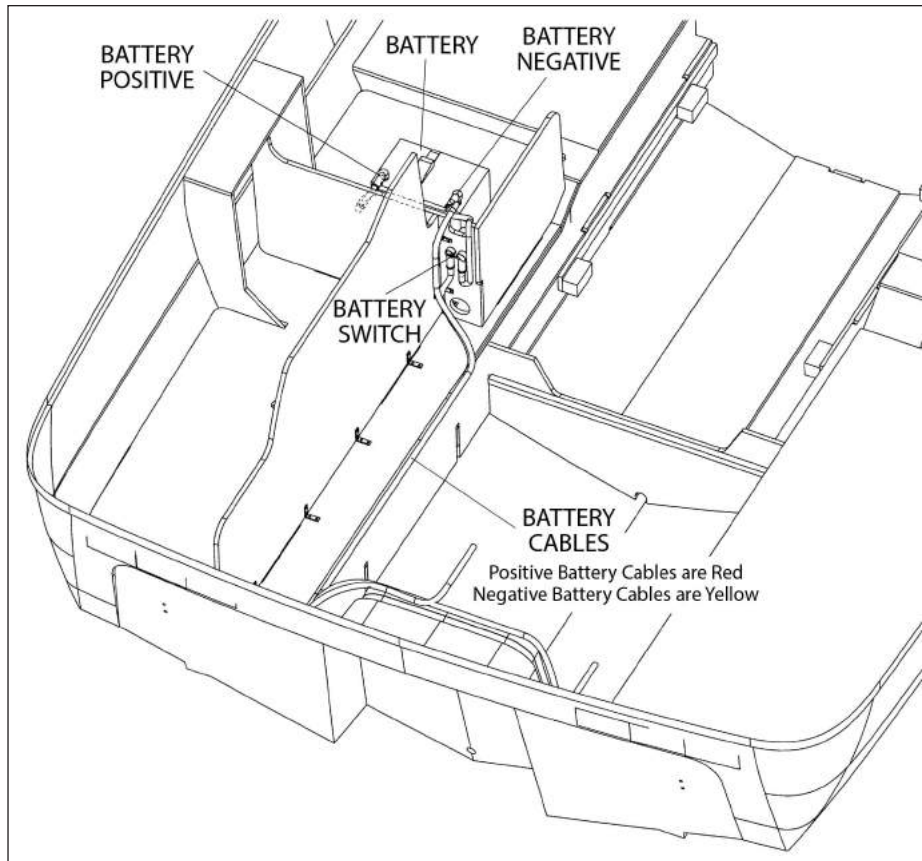
# Electrical Routings

## 12-Volt DC Deck Harness

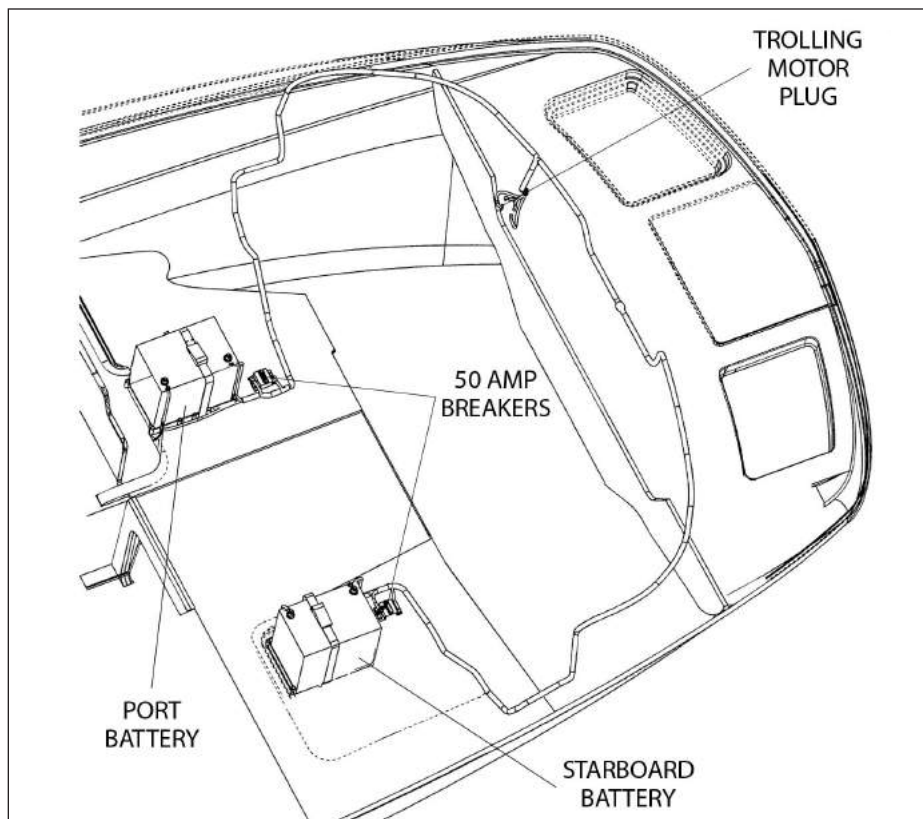


DECK UNDERSIDE

## Battery Cable Routings



## Trolling Motor (If Equipped)



# Important Records

---

## Selling Dealer

\_\_\_\_\_  
Name Of Dealership

\_\_\_\_\_  
Address

\_\_\_\_\_  
Phone/FAX/E-mail

\_\_\_\_\_  
Sales Manager

\_\_\_\_\_  
Service Manager

## Engine

\_\_\_\_\_  
Manufacturer

\_\_\_\_\_  
Model Name/Number

\_\_\_\_\_  
Engine Serial Number

\_\_\_\_\_  
Oil Type/SAE

\_\_\_\_\_  
Quarts per Engine

\_\_\_\_\_  
Filter Type

## Propeller

\_\_\_\_\_  
Manufacturer

\_\_\_\_\_  
Pitch

\_\_\_\_\_  
Model Number

## Key Numbers

\_\_\_\_\_  
Ignition

\_\_\_\_\_  
Other

## Electronics

\_\_\_\_\_  
Manufacturer

\_\_\_\_\_  
Model Name/Number

\_\_\_\_\_  
Serial Number

\_\_\_\_\_  
Manufacturer

\_\_\_\_\_  
Model Name/Number

\_\_\_\_\_  
Serial Number

\_\_\_\_\_  
Manufacturer

\_\_\_\_\_  
Model Name/Number

\_\_\_\_\_  
Serial Number

\_\_\_\_\_  
Manufacturer

\_\_\_\_\_  
Model Name/Number

\_\_\_\_\_  
Serial Number

\_\_\_\_\_  
Manufacturer

\_\_\_\_\_  
Model Name/Number

\_\_\_\_\_  
Serial Number

\_\_\_\_\_  
Manufacturer

\_\_\_\_\_  
Model Name/Number

\_\_\_\_\_  
Serial Number







