

**BAYLINER®**

175

Owner's Manual *Supplement*

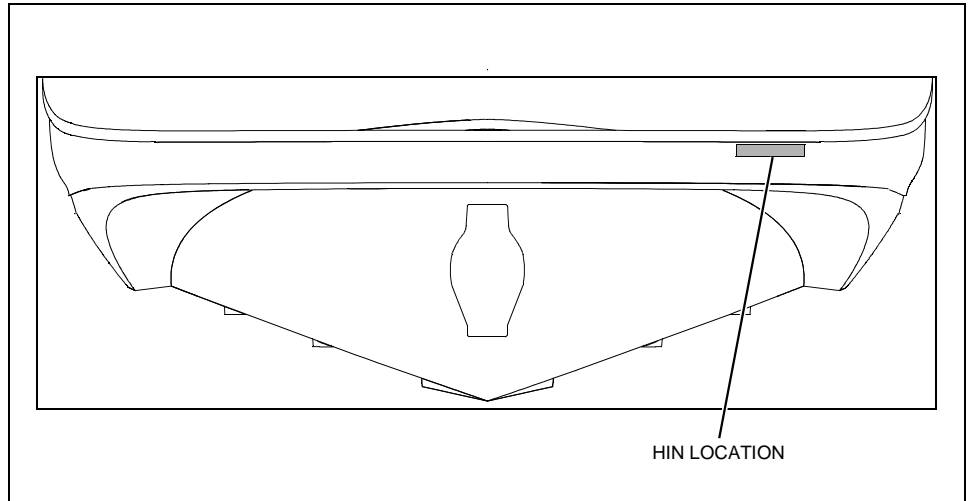


**Engine Serial Number:** \_\_\_\_\_

**Hull Identification Number:** \_\_\_\_\_

**Hull Identification Number**

- The Hull Identification Number (HIN) is located on the starboard side of the transom.
- Record the HIN (and the engine serial numbers) in the space provided above.
- Please refer to the HIN for any correspondence or orders.



**© 2005 Bayliner Technical Publications. All rights reserved.**

No part of this publication may be reproduced, stored in any retrieval system, or transmitted in any form by any means, electronic, mechanical, photocopying, recording or otherwise, without prior written permission of Bayliner.

Printed in the United States of America.

**General Notes**

The material in this document is for information only and is subject to change without notice. While reasonable efforts have been made in the preparation of this document to assure its accuracy, Bayliner assumes no liability resulting from errors or omissions in this document, or from the use of information contained herein.

Due to our commitment to product improvement, Bayliner reserves the right to make changes in the product design, specifications, and equipment at any time without notice or obligation. Illustrations and/or photos may show optional equipment.

All Bayliner products meet or exceed USCG (United States Coast Guard) and/or NMMA (National Marine Manufacturer's Association) construction standards. Manufactured with 1,1,1 Trichloroethane, a substance which harms public health and environment during the manufacturing process by destroying ozone in the upper atmosphere.

**Proprietary Rights**

This document discloses subject matter in which Bayliner has proprietary rights. The information and design disclosed herein were originated by and are the property of Bayliner. Neither receipt nor possession thereof confers or transfers any right to reproduce, copy, alter or disclose the document or any part thereof, any information contained therein, or to construct boats or any item from it, except by written permission from or written agreement with Bayliner. This document is to be returned upon request to Bayliner.

# CONTENTS

---

## **1 Chapter 1: Welcome Aboard!**

- 1 Dimensions & Tank Capacities
- 1 Layout View
- 1 Dealer Service
- 2 Warranty Information
- 2 Boating Experience
- 2 Engine & Accessory Guidelines
  - 2 *Engine & Accessory Literature*
  - 3 *Propeller*
- 3 Qualified Maintenance
- 3 Special Care For Moored Boats
- 4 Safety Standards
- 5 Carbon Monoxide (CO)
  - 5 *CO Facts*
  - 5 *Factors that Increase the Effects of CO Poisoning*
  - 6 *Where and How CO Can Accumulate*
  - 6 *How to Protect Yourself and Others From CO*
  - 7 *CO Checklists*
  - 7 *More Information*

## **8 Chapter 2: Locations**

- 8 Exterior Views
  - 8 *Hull Views*
  - 9 *Deck View*
  - 10 *Helm*
- 11 Component Locations

## **14 Chapter 3: Propulsion & Related Systems**

- 14 Engine
  - 14 *Special Starting Instructions for Carbureted Engines (If Equipped)*
- 15 Bilge Blower System
- 16 Fuel System
  - 16 *Fuel Fill & Vent*
  - 16 *Fuel Filters*
  - 17 *Anti-siphon Valve*
- 18 Quick Oil Drain System

## **19 Chapter 4: Controls & Gauges**

- 19 Steering
- 19 Shift/Throttle Controls
- 19 Power Trim & Tilt
- 20 Gauges
  - 20 *Cleaning Gauges*
  - 20 *Gauge Fogging*
  - 20 *Radio Transmission Interference*
  - 20 *Fuel Gauge*

## **21 Chapter 5: Plumbing**

- 21 Bilge Pump
  - 22 *Bilge Pump Testing*

## **23 Chapter 6: Deck Equipment**

- 23 Cleats and Tow Eyes
- 23 Ski Tow Ring
- 24 Ski-Tow Tower (If Equipped)
  - 24 *Attaching the Ski-Tow Rope*

---

**25 Chapter 7: Convertible Seats,  
Beds, & Tables**

- 25 Sleeper Seats
  - 25 *Operating Positions*
  - 25 *Lounge positions*

**26 Chapter 8: Lights**

- 26 Care and Maintenance
- 26 Navigation Lights

**27 Chapter 9: Electrical System**

- 28 12-Volt DC System
  - 28 *Battery*
  - 28 *Fuses*
  - 28 *12-Volt Accessory Outlet (If Equipped)*
  - 28 *Alternator*

- 29 Electrical Routings
  - 29 *Deck Electrical Harnesses*
  - 30 *Battery Cable Harness*

- 31 Wiring Diagram

**32 Important Records**


**33 Float Plan**

## Hazard Boxes & Symbols

The hazard boxes and symbols shown below are used throughout this supplement to call attention to potentially dangerous situations which could lead to either personal injury or product damage. Read *all* warnings carefully and follow *all* safety instructions.

 **DANGER!**  
This box alerts you to immediate hazards which *WILL* cause severe personal injury or death if the warning is ignored.


 **WARNING!**  
This box alerts you to hazards or unsafe practices which *COULD* result in severe personal injury or death if the warning is ignored.

 **CAUTION**  
This box alerts you to hazards or unsafe practices which *COULD* result in minor personal injury or cause product or property damage if the warning is ignored.

**NOTICE**  
This box calls attention to installation, operation or maintenance information, which is important to proper operation but is not hazard related.

 FIRE HAZARD!	 EXPLOSION HAZARD!	 NO OPEN FLAME!	 ELECTRICAL HAZARD!	 HOT HAZARD!
---	--	---	--	--

 FALLING HAZARD!	 ROTATING PROPELLER HAZARD!	 RUN BILGE BLOWERS FOR 4 MINUTES!
--	---	--

  
**DANGER**  
CARBON MONOXIDE  
CO POISONING HAZARD!

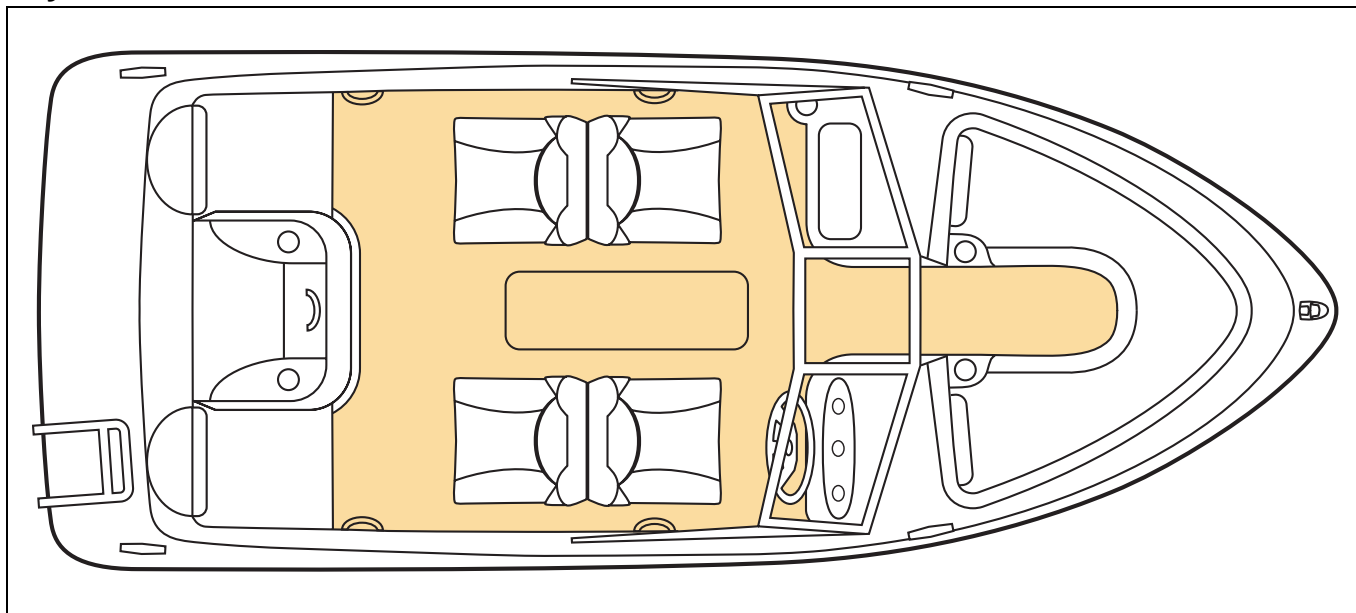
## Chapter 1: Welcome Aboard!

- This *Owner's Manual Supplement* provides information about your boat that is **not** covered in the *Sport Boat Owner's Manual*.
- **Before** using your boat, study this *Owner's Manual Supplement*, the *Sport Boat Owner's Manual*, and **all** engine and accessory literature carefully.
- Keep this *Owner's Manual Supplement* and the *Sport Boat Owner's Manual* on your boat in a secure, yet readily available place.

### Dimensions & Tank Capacities

Overall Length	Length Rigged	Bridge Clearance	Beam	Draft (Hull)	Draft (Maximum)	Fuel Capacity
17' 7"	18' 9"	8' 9"	6' 11"	1' 5"	2' 10"	21 Gallons

### Layout View




### Dealer Service

- Your dealer is your key to service.
- Ask your dealer to explain **all** systems **before** taking delivery of your boat.
- Contact your dealer if you have any problems with your new boat.
- If your dealer cannot help, call our customer service hotline: 360-435-8957 or send us a FAX: 360-403-4235.
- Buy replacement parts from any authorized Bayliner dealer.

## Warranty Information

- Bayliner offers a Limited Warranty on each new Bayliner purchased through an authorized Bayliner dealer.
- A copy of the Limited Warranty was included in your owner's packet.
- If you did not receive a copy of the Limited Warranty, please contact your Bayliner dealer or call 360-435-8957 for a copy.

## Boating Experience

 <b>WARNING!</b>
<b>CONTROL HAZARD!</b> <b>A qualified operator <i>MUST</i> be in control of the boat at <i>ALL</i> times. Do <i>NOT</i> operate your boat while under the influence of alcohol or drugs.</b>

If this is your first boat or if you are changing to a type of boat you are *not* familiar with, for your own comfort and safety, obtain handling and operating experience *before* assuming command of this boat.

Take one of the boating safety classes offered by the U.S. Power Squadrons or the U.S. Coast Guard Auxiliary. For more course information, including dates and locations of upcoming classes, contact the organizations directly:

- U.S. Power Squadrons: 1-888-FOR-USPS (1-888-367-8777) or on the Internet at: <http://www.usps.org>
- In Canada, for the CPS courses call 1-888-CPS-BOAT.
- U.S. Coast Guard Auxiliary: 1-800-368-5647 or on the Internet at: <http://www.cgaux.org>

Outside the United States, your selling dealer, national sailing federation or local boat club can advise you of local sea schools or competent instructors.

## Engine & Accessory Guidelines

<b>NOTICE</b>
<b>When storing your boat please refer to your engine's operation and maintenance manuals.</b>

- Your boat's engine and accessories were selected to provide optimum performance and service.
- Installing a different engine or other accessories may cause unwanted handling characteristics.
- Should you choose to install a different engine or accessories that will affect the boat's running trim, have an experienced marine technician perform a safety inspection and handling test *before* operating your boat again.

**Certain modifications to your boat *will* result in cancellation of your warranty protection.**

- *Always* check with your dealer *before* making any modifications to your boat.

### **Engine & Accessory Literature**

- The engine and accessories installed on your boat come with their own operation and maintenance manuals.
- Read these manuals *before* using the engine and accessories.
- Unless noted otherwise, *all* engine and accessory literature referred to in this *Supplement* is included in your owner's packet.



## Propeller



### CAUTION

#### **ENGINE DAMAGE HAZARD!**

The factory standard propeller may not be the best for your particular boat and load conditions. Refer to the engine manual for engine RPM ratings. The engine should reach, but not exceed its full rated RPM when full-throttle is applied.

Immediately contact your local Bayliner dealer if:

- The engine cannot reach its full rated RPM when full-throttle is applied, or;
- The engine exceeds its full rated RPM when full-throttle is applied.

- Keep the propeller in good repair and at the correct pitch for your particular situation.
- A slightly bent or nicked propeller will adversely affect the performance of your boat.

## Qualified Maintenance



### WARNING!

To maintain the integrity and safety of your boat, allow *ONLY* qualified personnel to perform maintenance on, or in any way modify the:

- Steering System
- Propulsion System
- Engine Control System
- Fuel System
- Environmental Control System
- Electrical System
- Navigational System

- Failure to maintain your boat's systems (listed in the warning above) as designed could violate the laws in your jurisdiction and could expose you and other people to the danger of bodily injury or accidental death.
- Follow the instructions provided in the *Sport Boat Owner's Manual*, this *Supplement*, the engine owner's manual and *all* accessory literature.

## Special Care For Moored Boats

### NOTICE


- To help seal the hull bottom and reduce the possibility of gelcoat blistering on moored boats, apply an epoxy barrier coating.
- The barrier coating should be covered with several coats of anti-fouling paint.
- Many states regulate the chemical content of bottom paints in order to meet environmental standards. Check with your local dealer about recommended bottom paints, and about the laws in effect in your area.

- Whether moored in saltwater or freshwater, your boat will collect marine growth on its hull bottom.
- This will detract from the boat's beauty, greatly affect its performance and may damage the gelcoat.
- Periodically haul the boat out of the water and scrub the hull bottom with a bristle brush and a solution of soap and water.

## Safety Standards

**⚠ DANGER!**


**FALLING and ROTATING PROPELLER HAZARD!**



- **NEVER** allow anyone to ride on parts of the boat **NOT** designed for such use.
- Sitting on seat backs, lounging on the forward deck, bow riding, gunwale riding or occupying the transom platform while underway is especially hazardous and **WILL** cause personal injury or death.

**⚠ DANGER!**

**FALLING, ROTATING PROPELLER and CARBON MONOXIDE POISONING HAZARD!**



- **NEVER** allow anyone to occupy, or hang from, the back deck or swim platform while the engine(s) are running.
- Teak surfing, dragging, or water skiing within 20 feet of a moving watercraft can be fatal.

**⚠ DANGER!**

**PERSONAL SAFETY HAZARD!**

**ALWAYS** secure the anchor and other loose objects **BEFORE** getting underway. The anchor and other items that are **NOT** properly secured can come loose when the boat is moving and cause personal injury or death.

**⚠ WARNING!**

A wide variety of components used on this vessel contain or emit chemicals known to the State of California to cause cancer and birth defects and other reproductive harm.

**Examples Include:**

- Engine and generator exhaust
- Engine and generator fuel, and other liquids such as coolants and oil, especially used motor oil
- Cooking fuels
- Cleaners, paints, and substances used for vessel repair
- Waste materials that result from wear of vessel components
- Lead from battery terminals and from other sources such as ballast or fishing sinkers


**To Avoid Harm:**

- Keep away from engine, generator, and cooking fuel exhaust fumes.
- Wash exposed skin thoroughly with soap and water after handling the substances above.

- Your boat's mechanical and electrical systems were designed to meet safety standards in effect at the time it was built.
- Some of these standards were mandated by law, all of them were designed to insure your safety, and the safety of other people, vessels and property.

In addition to this *Supplement*, please read the *Sport Boat Owner's Manual* and **all** accessory instructions for important safety standards and hazard information.

## Carbon Monoxide (CO)

<b>⚠ DANGER!</b>	
	<ul style="list-style-type: none"> <li>• Carbon monoxide gas (CO) is colorless, odorless, tasteless, and extremely dangerous.</li> <li>• <i>ALL</i> engines, generators, and fuel burning appliances produce CO as exhaust.</li> <li>• Prolonged exposure to low concentrations or very quick exposure to high concentrations <i>WILL</i> cause <i>BRAIN DAMAGE</i> or <i>DEATH</i>.</li> <li>• Teak surfing, dragging, or water skiing within 20 feet of a moving watercraft can be fatal.</li> </ul>

### **CO Facts**

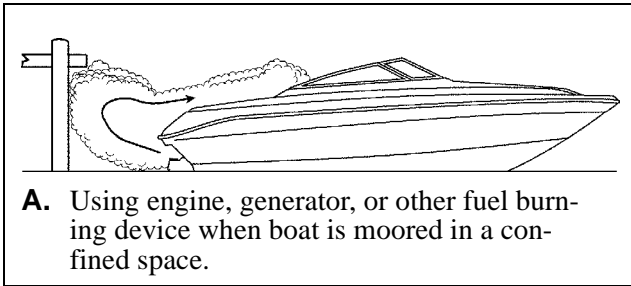
- CO poisoning causes a significant number of boating deaths each year.
- Called the "silent killer", CO is an extremely toxic, colorless, odorless and tasteless gas.
- CO can harm or even kill you inside or outside your boat.
- CO can affect you whether you're underway, moored, or anchored.
- CO symptoms are similar to seasickness or alcohol intoxication.
- CO can make you sick in seconds. In high enough concentrations, even a few breaths can be fatal.
- Breathing CO blocks the ability of your blood to carry oxygen.
- The effects are cumulative. Even low levels of exposure can result in injury or death.

### **Factors that Increase the Effects of CO Poisoning**

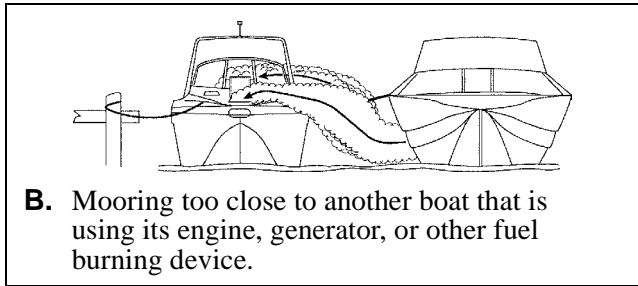
- Age
- Smokers or people exposed to high concentrations of cigarette smoke
- Consumption of alcohol
- Lung disorders
- Heart problems
- Pregnancy

## Where and How CO Can Accumulate

### Stationary Conditions That Increase CO Accumulations Include:



**A.** Using engine, generator, or other fuel burning device when boat is moored in a confined space.

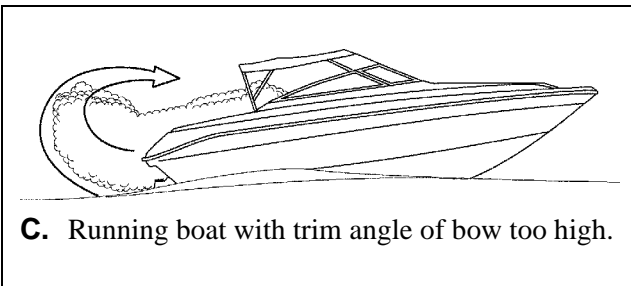


**B.** Mooring too close to another boat that is using its engine, generator, or other fuel burning device.

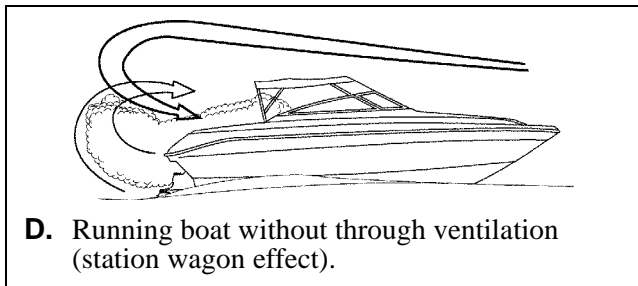
### To correct stationary situations A and/or B:

- **Close all** windows, portlights and hatches.
- If possible, move your boat away from source of CO.

### Running Conditions That Increase CO Accumulations Include:



**C.** Running boat with trim angle of bow too high.



**D.** Running boat without through ventilation (station wagon effect).

### To correct running situations C and/or D:

- Trim bow down.
- **Open** windows and canvas.
- When possible, run boat so that prevailing winds help dissipate exhaust.

## How to Protect Yourself and Others From CO

- Know where and how CO may accumulate in and around your boat (see above).
- Maintain fresh air circulation throughout the boat at **all** times.
- Know where your engine and generator exhaust outlets are located and keep everyone away from these areas.
- **Never** sit on, or hang onto, the back deck or swim platform while the engine(s) is running **OR** engines are running.
- **Never** enter the areas under swim platforms where exhaust outlets are located.
- Although CO can be present without the smell of exhaust fumes, if exhaust fumes are detected on the boat, take **immediate** action to dissipate these fumes.
- Treat symptoms of seasickness as possible CO poisoning. Get the person into fresh air **immediately**. Seek medical attention—unless you're sure it's **not** CO.
- Install and maintain CO monitors inside your boat. **Never** ignore any alarm. Replace monitors as recommended by the monitor manufacturer.
- Follow the checklists provided on the next page.
- Get a Vessel Safety Check.

For information on how to get a free VESSEL SAFETY CHECK, visit [www.vesselsafetycheck.org](http://www.vesselsafetycheck.org) or contact your local U.S. Coast Guard Auxiliary or United States Power Squadrons®.

- U.S. Coast Guard Auxiliary: 1-800-368-5647 or on the Internet at: <http://www.cgaux.org>
- U.S. Power Squadrons: 1-888-FOR-USPS (1-888-367-8777) or on the Internet at: <http://www.usps.org>

## CO Checklists

### Trip Checklist

- Make sure you know where the exhaust outlets are located on your boat.
- Educate *all* passengers about the symptoms of CO poisoning and where CO may accumulate.
- When docked, or rafted with another boat, be aware of exhaust emissions from the other boat.
- Listen for any change in exhaust sound, which could indicate an exhaust component failure.
- Test the operation of each CO monitor by pressing the test button.

### Monthly Checklist

- Make sure *all* exhaust clamps are in place and secure.
- Look for exhaust leaking from exhaust system components. Signs include rust and/or black streaking, water leaks, or corroded or cracked fittings.
- Inspect rubber exhaust hoses for burned, cracked, or deteriorated sections. *All* rubber hoses should be pliable and free of kinks.

### Annual Checklist

#### **Have a Qualified Marine Technician:**

- Replace exhaust hoses if cracking, charring, or deterioration is found.
- Ensure that your engines and generators are properly tuned, and well maintained.
- Inspect each water pump impeller and the water pump housing. Replace if worn. Make sure cooling systems are in working condition.
- Inspect *all* metallic exhaust components for cracking, rusting, leaking, or loosening. Make sure they check the cylinder head gasket, exhaust manifold, water injection elbow, and the threaded adapter nipple between the manifold and the elbow.
- Clean, inspect, and confirm proper operation of the generator cooling water anti-siphon valve (if equipped).

### More Information

For more information about how you can prevent carbon monoxide poisoning on recreational boats and other ways to boat more safely, contact:

United States Coast Guard Office of Boating Safety (G-OPB-3) 2100 Second Street SW Washington, DC 20593 www.uscgboating.org 1-800-368-5647	National Marine Manufacturers Association (NMMA) 200 East Randolph Drive Suite 5100 Chicago, IL 60601-9301 www.nmma.org 312-946-6200	American Boat & Yacht Council, Inc. (ABYC) 3069 Solomon's Island Road Edgewater, MD 21037-1416 www.abycinc.org 410-956-1050
---	--	--

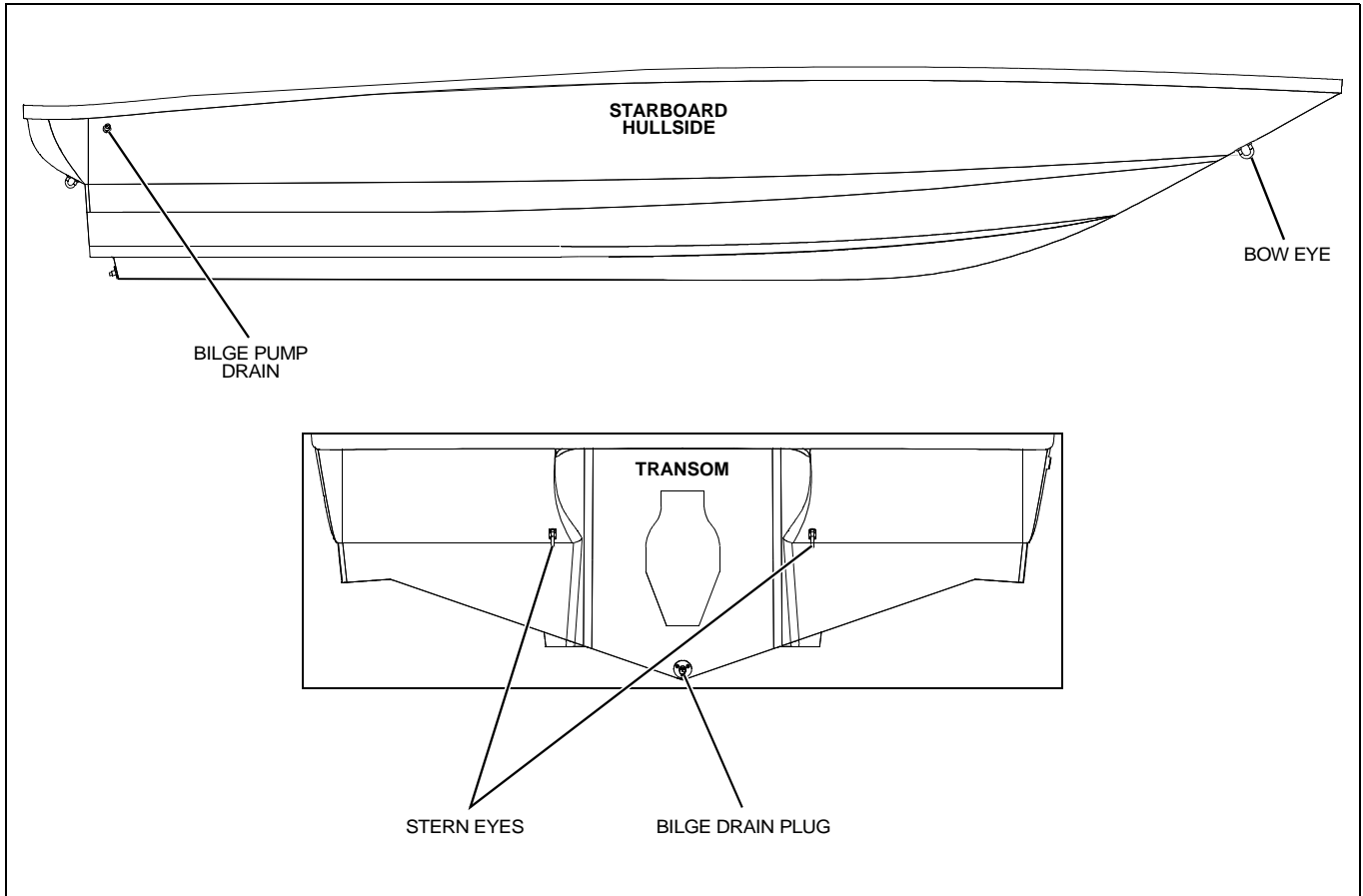
For information on how to get a free VESSEL SAFETY CHECK, visit [www.vesselsafetycheck.org](http://www.vesselsafetycheck.org) or contact your local U.S. Coast Guard Auxiliary or United States Power Squadrons®.

- U.S. Coast Guard Auxiliary: 1-800-368-5647 or on the Internet at: <http://www.cgaux.org>
- U.S. Power Squadrons: 1-888-FOR-USPS (1-888-367-8777) or on the Internet at: <http://www.usps.org>

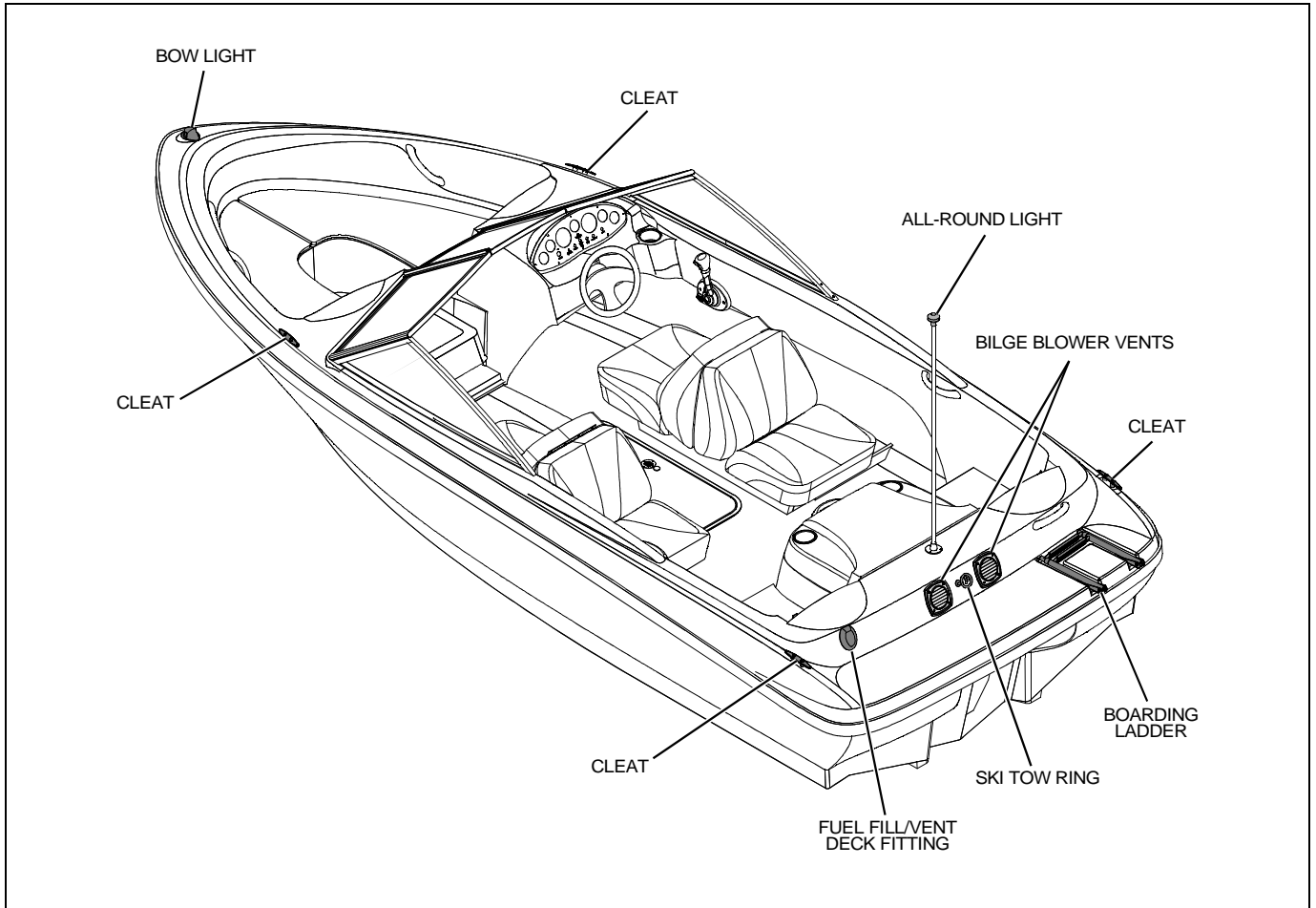
## Chapter 2: Locations

### Exterior Views

#### Hull Views

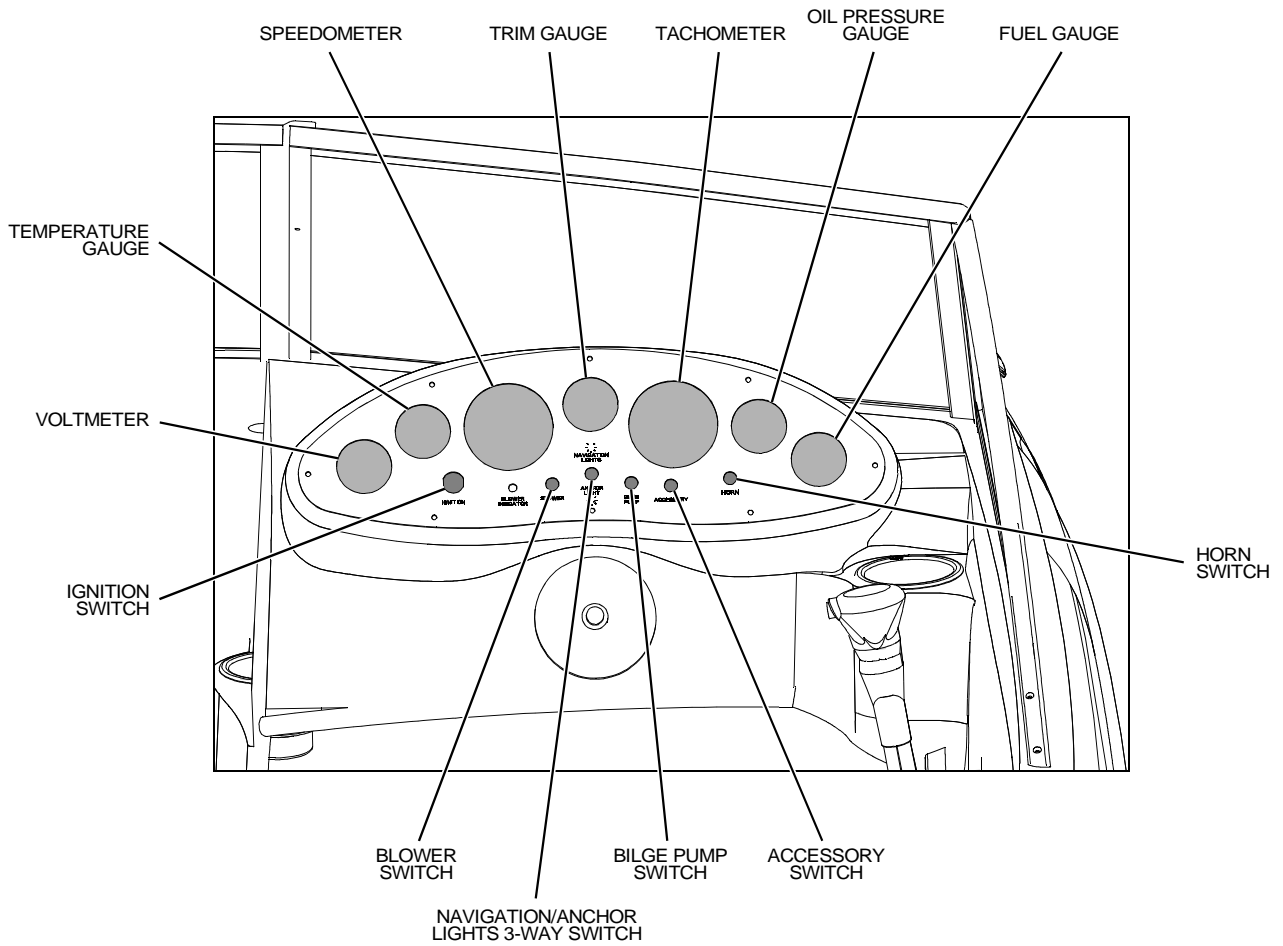


### Deck View



### Helm

NOTE: TYPICAL HELM LAYOUT SHOWN  
ACTUAL LAYOUT MAY VARY DEPENDING  
ON ENGINE AND ACCESSORY OPTIONS

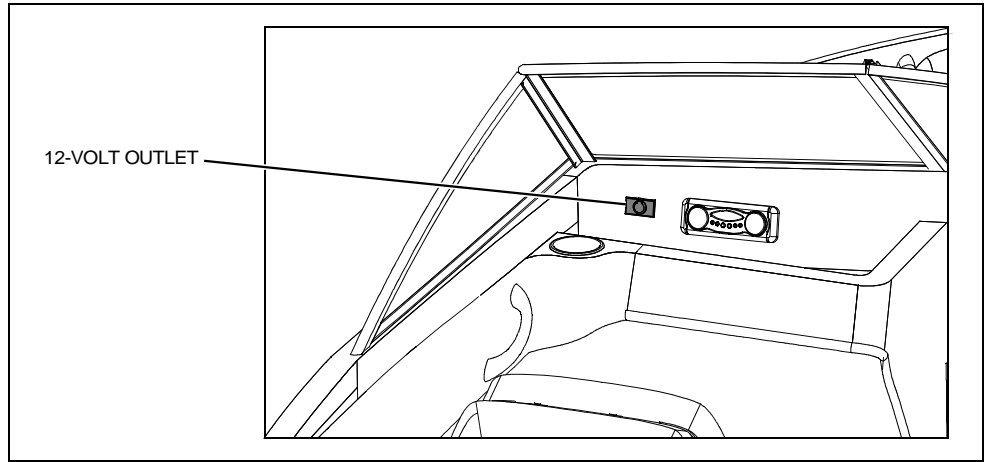




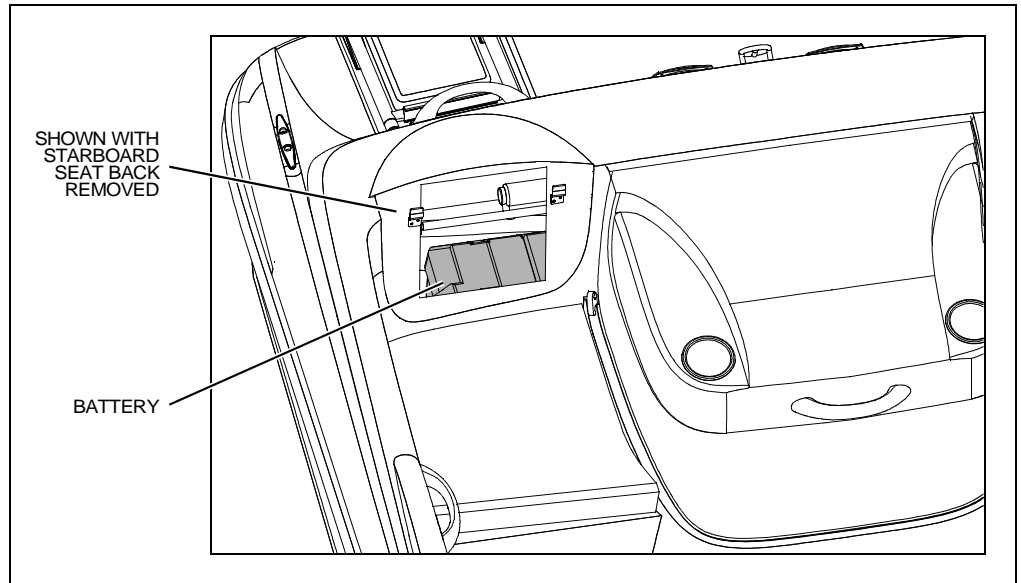
## Component Locations

### 12-Volt Accessory Outlet:

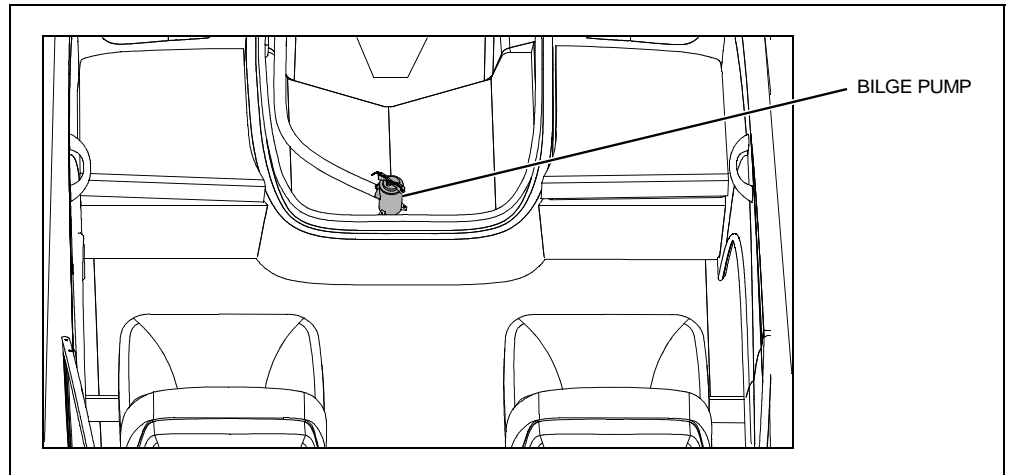
Located on the port dash, next to the stereo.



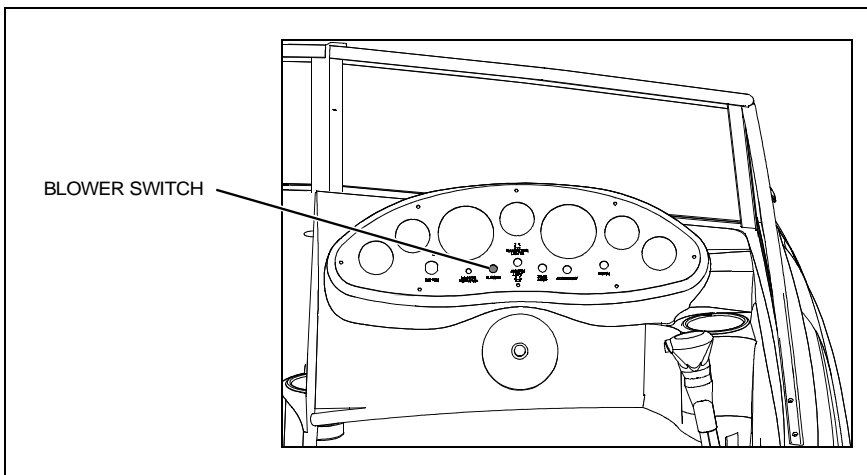
**Battery:** Located behind the starboard transom seat back.



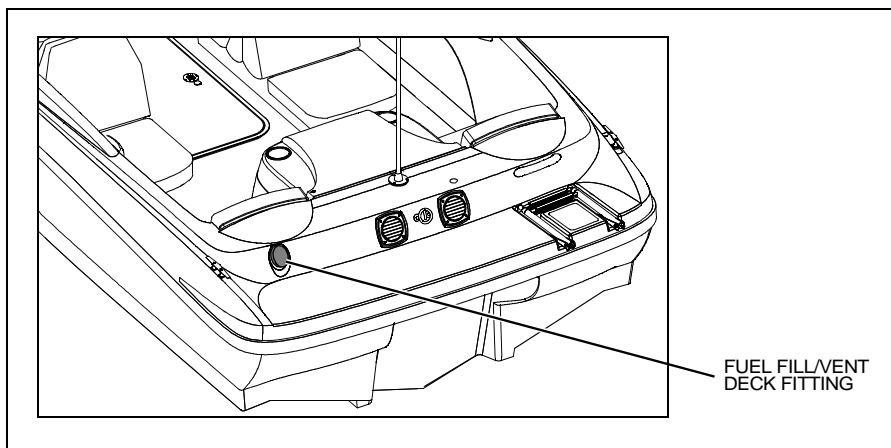
**Bilge Pump:** Located in the engine room bilge, forward of the engine.



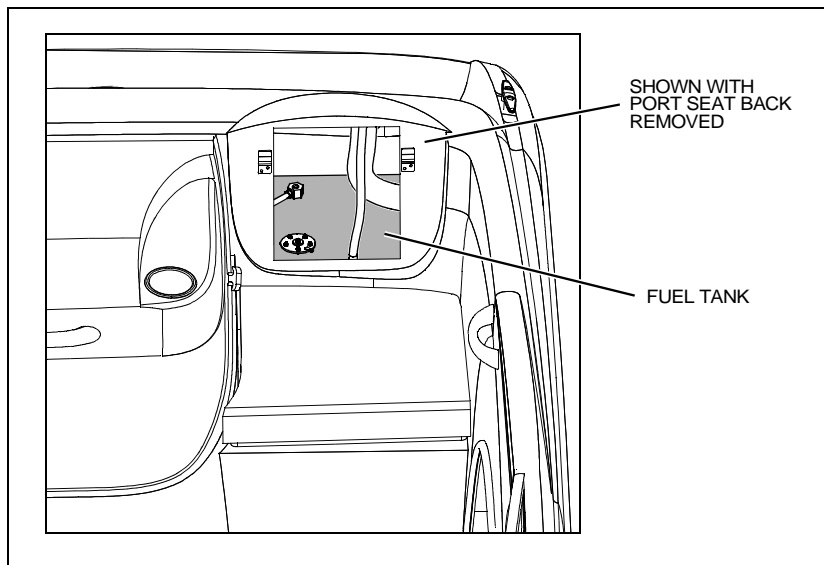
**Blower Switch:** Located at the helm.



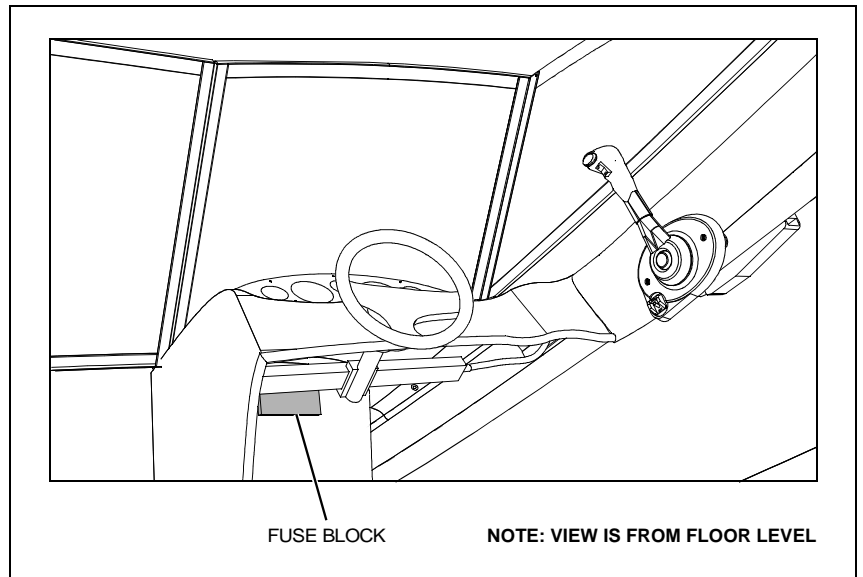
**Fuel Fill/Vent Deck Fitting:** Located on the port aft deck.



**Fuel Tank:** Located behind the port transom seat back.

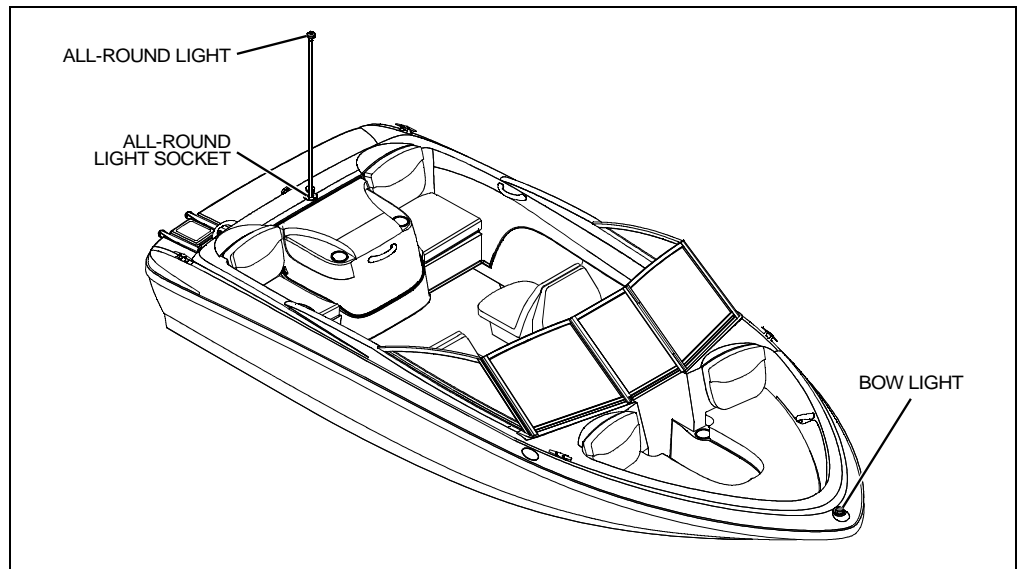


**Fuse Block:** Located under the helm dash.



**Navigation Lights:**

- Red and green lights at the bow.
- White all-round light on the transom.



## Chapter 3: Propulsion & Related Systems

---

### Engine

Read the engine operation and maintenance manuals *before* starting or working on the engine.

#### ***Special Starting Instructions for Carbureted Engines (If Equipped)***

Some carbureted engines can be difficult to start when they are cold. In addition to following *all* instructions and heeding *all* warnings in the engine manual, try the following:

1. Pump the throttle lever from the 1/4 throttle position to the full throttle position 3 or 4 times.
2. Return the throttle lever to the 1/4 throttle position.
3. Continue the starting procedure as described in the engine manual.

## Bilge Blower System

! **WARNING!**

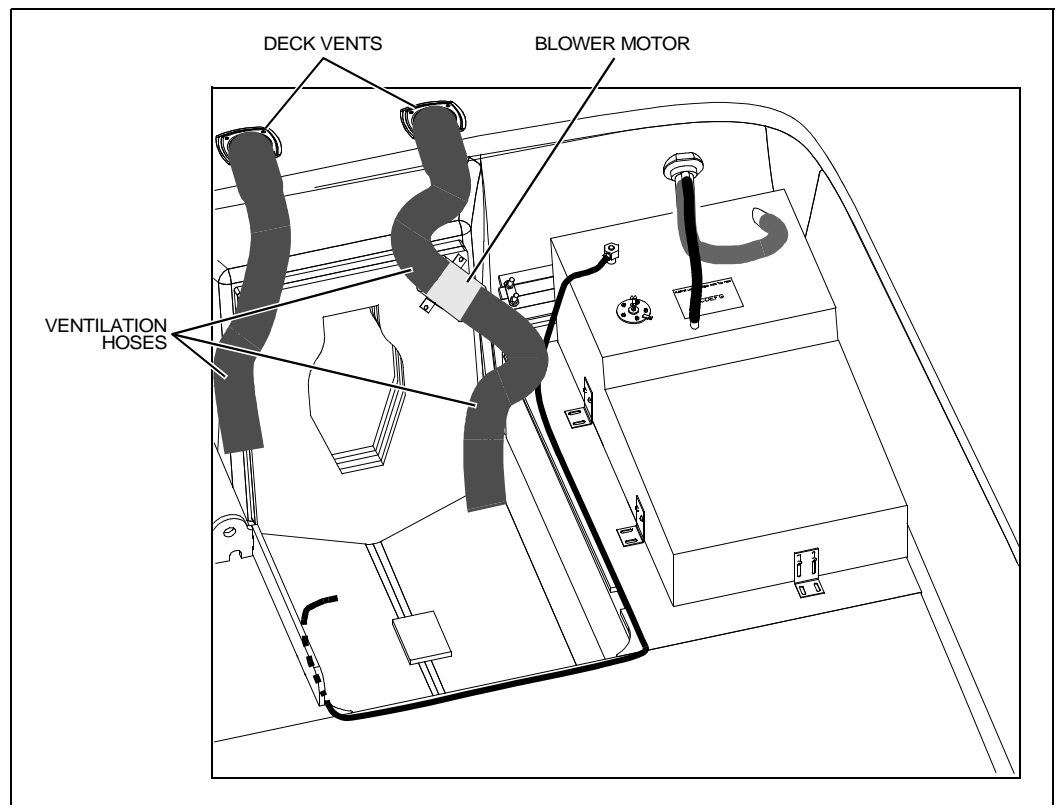
**FIRE/EXPLOSION HAZARD**

- Use of the bilge blower system is *NOT A GUARANTEE* that explosive fumes have been removed.
- *BEFORE* starting the engine *ALWAYS* use the "sniff test" to check the engine and bilge areas for fuel vapors.
- If you smell fuel, do *NOT* start the engine and do *NOT* turn *On* any electrical devices.
- If you smell fuel and the engine is already running, shut *Off* the engine and turn *Off ALL* electrical devices. Investigate *immediately*.
- Do *NOT* obstruct or modify the bilge blower system.

- The bilge blower system removes explosive fumes from the engine and bilge areas.
- Fresh air is drawn into the engine and bilge areas through the vents.


**To make sure the engine and bilge areas are properly ventilated:**

- Use the "sniff test" to check the engine and bilge areas for fuel vapors *before* starting the engine.
- *Always* run the bilge blower for at least four minutes *before* starting the engine.
- Continue to run the blower until your boat has reached cruising speed.
- *Always* run the blower when running the boat below cruising speed.



## Fuel System

**! WARNING!**



**FIRE, EXPLOSION AND OPEN FLAME HAZARD!**

- It is very important that the fuel system be inspected thoroughly the first time it is filled and at each subsequent filling.
- The fueling instructions in the *Sport Boat Owner's Manual* and the fuel recommendations in the engine operation manual **MUST** be followed.

**! CAUTION**

Avoid the storage or handling of gear near the fuel lines, fittings and tank.

**NOTICE**

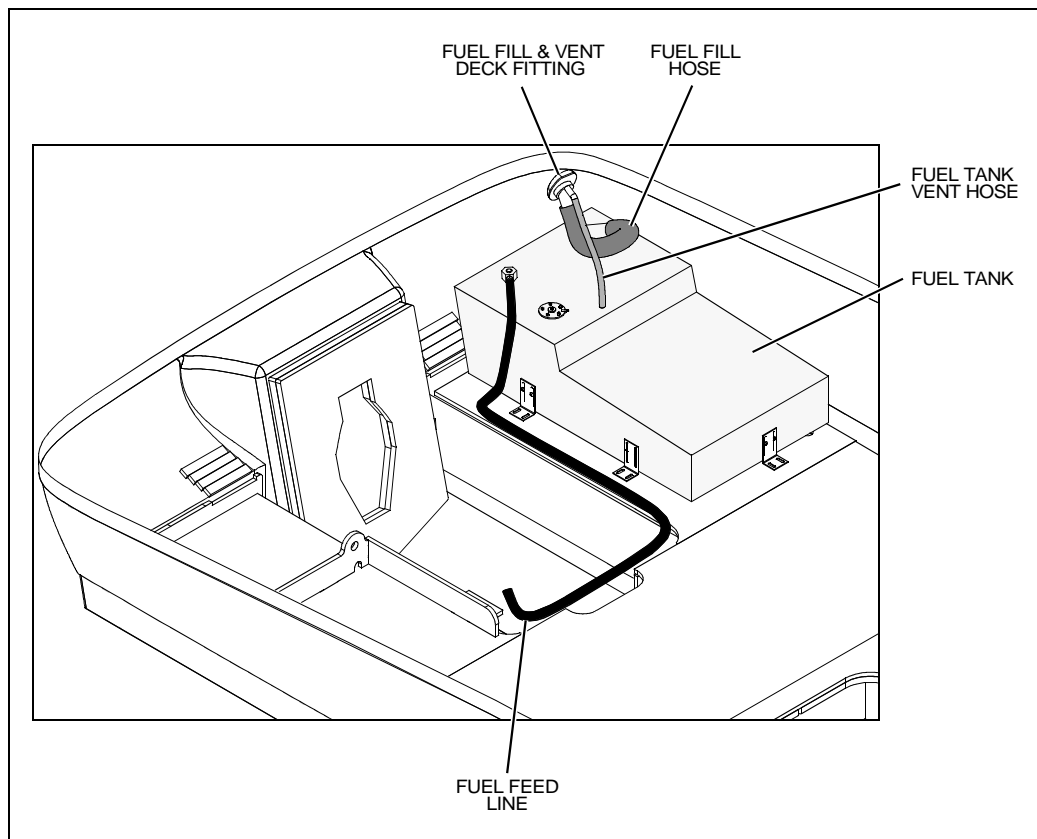
Carefully read the fuel section of both the *Sport Boat Owner's Manual* and the engine operation manual, paying special attention to the subject of *fuel recommendations*.

### Fuel Fill & Vent

- The fuel fill fitting is marked "Gas".
- If you have problems filling the fuel tank, see if the fuel fill hose or fuel tank vent hose is kinked or collapsed.
- If there are no visible signs of a problem, contact your local dealer.

### Fuel Filters

- The fuel pickup tube, located inside the fuel tank, is equipped with a fine mesh screen filter.
- In addition, when supplied by the engine manufacturer, a fuel filter is installed on the engine.
- Periodically replace the fuel filters to make sure they remain clean and free of debris.
- Talk to your selling dealer or local marina about fuel additives that help prevent fungus or other buildup in your fuel tank.



## ***Anti-siphon Valve***

### **NOTICE**

- **If an engine running problem is diagnosed as fuel starvation, check the anti-siphon valve.**
- **If the valve is stuck or clogged, change or replace it while the engine is *shut down*.**
- ***NEVER* run the engine with the anti-siphon valve removed, except in an emergency.**

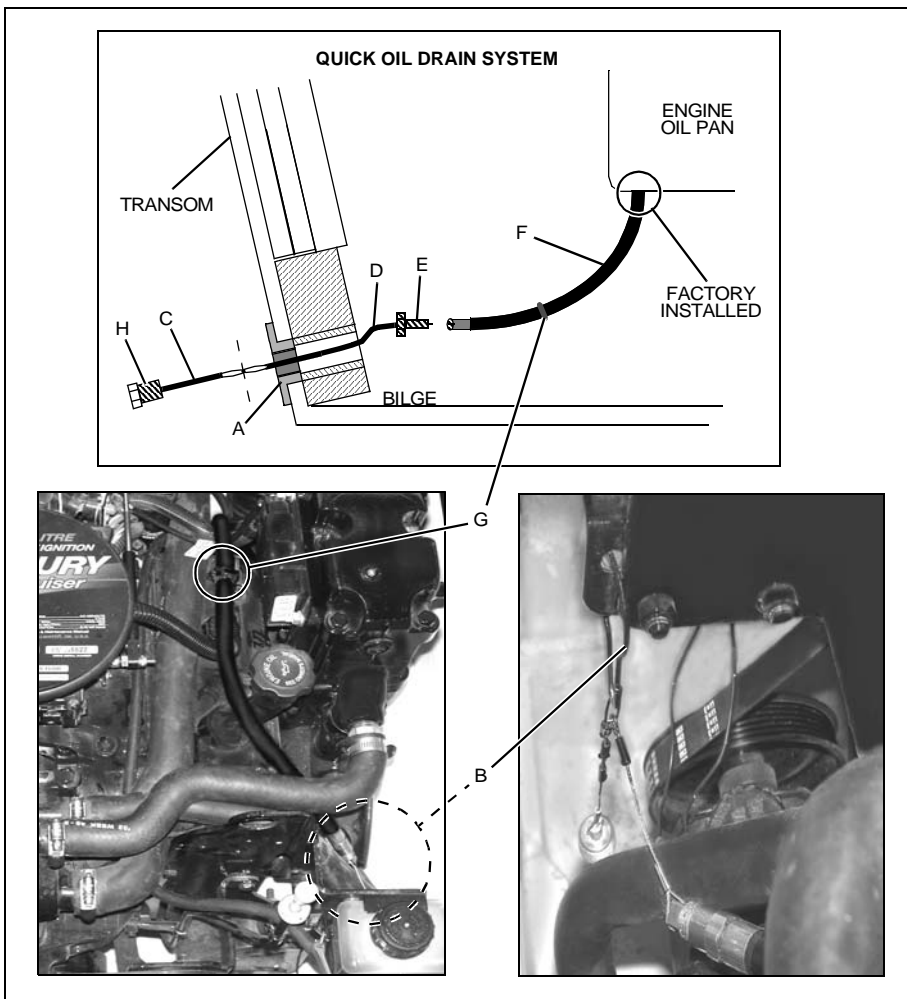
- The anti-siphon valve is a vital fuel system part.
- If the fuel line ruptures, this valve will prevent the fuel from siphoning from the tank.
- The valve is located on the fuel tank, where the fuel feed line attaches to the tank.
- The valve is spring loaded and is opened by fuel pump vacuum.

## Quick Oil Drain System

The quick oil drain hose was attached to the engine oil pan at the factory. However, some minor assembly is still needed *before* you can use this system.

### How to install the quick oil drain system:

1. Unscrew the factory installed bilge plug from the bilge drain (A). Keep the factory bilge plug on the boat as a spare.
2. Unclip the quick oil drain assembly from the wire loop (B) on the engine.
3. Un-clip the draw cord section (C) from the draw cord section (D).
4. Thread the draw cord section (D), the oil drain plug (E), and the oil drain hose (F) through the bilge drain (A).
5. Adjust the hose stop clamp (G) so that no more than 12 inches of hose, including the oil drain plug, can extend out of the bilge drain (A).
6. Re-clip the draw cord section (C) to the draw cord section (D).
7. Push the oil drain hose, oil drain plug, and both sections of the draw cords through the bilge drain and into the bilge area.
8. Screw the oil drain bilge plug (H) into the bilge drain (A) and tighten firmly.



### To drain the engine oil:

1. Remove the boat from the water.
2. Unscrew the bilge plug.
3. Pull the draw cord until the oil drain plug and the oil drain hose slide out of the bilge drain.
4. Place the end of the oil drain hose into a suitable container.
5. Unscrew the oil drain plug and drain the engine oil.
6. Replace the oil drain plug.
7. Push the drain hose back into the bilge.
8. Replace the bilge plug and tighten firmly.

**Always dispose of waste oil in accordance with local regulations.**



## Chapter 4: Controls & Gauges

---

### Steering

- Your boat features a power assisted\* rack-and-pinion steering system.
- For information about the 'power assist fluid reservoir', refer to the engine operation and maintenance manual.
- Boat steering is *not* self-centering.
- Refer to the engine manual for more steering system details.

\*3.0L engines feature mechanical rack-and-pinion steering.

### Shift/Throttle Controls

 <b>WARNING!</b>
<b><i>LOSS OF CONTROL HAZARD!</i></b>
<b>Improper maintenance of shift/throttle hardware may cause a sudden loss of control!</b>


Read *all* of the information about the shift/throttle controls in the shift/throttle manual, the engine operation manual, and the *Sport Boat Owner's Manual*.

### Power Trim & Tilt

- The stern drive on your boat is equipped with power trim & tilt.
- Trim and tilt instructions are provided in the engine operation manual and the shifter/throttle manual.

## Gauges

### *Cleaning Gauges*

 <b>CAUTION</b>
<b><i>PRODUCT or PROPERTY DAMAGE HAZARD!</i></b>
<ul style="list-style-type: none"><li>• Use only mild soap and water to clean the gauge lenses and bezels.</li><li>• Use of other cleaners, including common window cleaning solutions, may cause the lenses to crack.</li><li>• Lenses cracked in this manner will <b>NOT</b> be covered by our warranty.</li></ul>

### *Gauge Fogging*

- Moisture may occasionally find its way into the gauges causing lens fogging.
- Turning **On** the gauge lights will help dry the lenses.
- Fogging will not harm the gauges.

### *Radio Transmission Interference*

VHF or other radio transmissions may cause brief erratic readings on the tachometer. This will not damage the tachometer gauge or affect its accuracy when not transmitting.

### *Fuel Gauge*

It is normal for the pointer on your fuel gauge to bounce as fuel sloshes back and forth in the fuel tank.

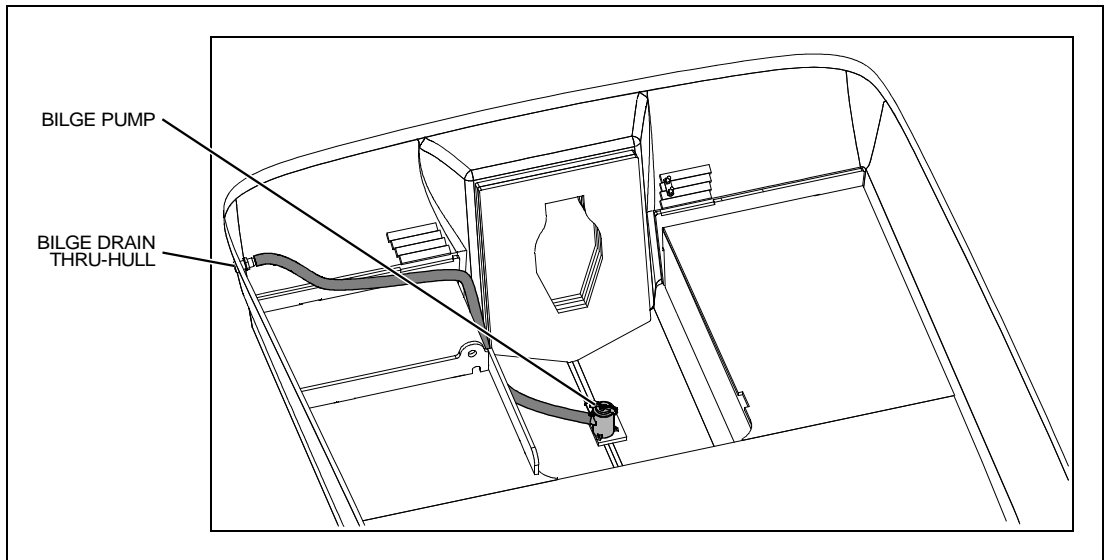
## Chapter 5: Plumbing

### Bilge Pump

#### NOTICE

Discharge of oil, oil waste or fuel into navigable waters is prohibited by law. Violators are subject to legal action by the local authorities.

- Your boat is equipped with a bilge pump for pumping water out of the bilge.
- The bilge pump is controlled by a switch at the helm.
- Since the bilge pump is wired directly to the battery, it should work even when the boat is completely shut down.



### **Bilge Pump Testing**

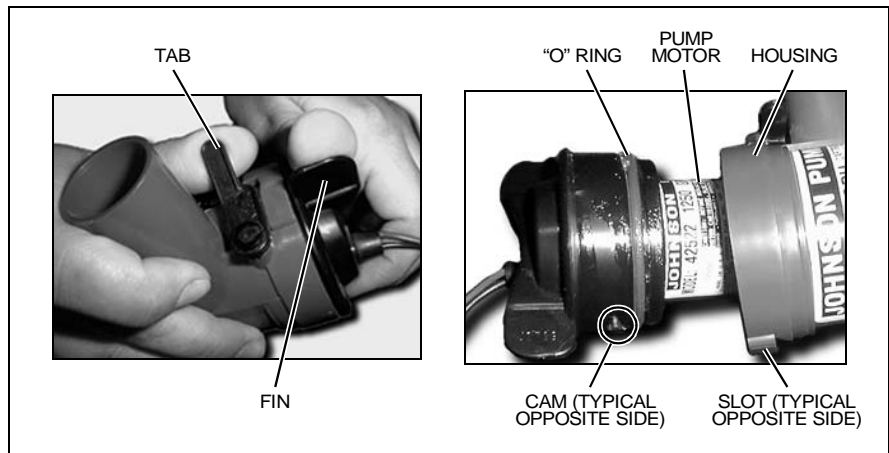
- The bilge pump is vital to the safety of your boat.
- Test the bilge pump often to make sure it is working properly.

#### **To test each bilge pump:**

1. One at a time, turn **On** each bilge pump switch at the helm.
2. Make sure that water in the bilge is pumped overboard.
  - If there is water in the bilge and the pump motor is running, but *not* pumping, inspect the discharge hose for a kink or collapsed area.
  - If the discharge hose looks okay, check the bilge pump housing for clogging debris (see below).

#### **Checking for clogging debris:**

1. Remove the pump motor from the housing:
  - a. Lift the tab while rotating the fins counter-clockwise.
  - b. Lift out the pump motor.
  - c. Clear the housing of debris.
2. Reinstall the pump motor:
  - a. Make sure the "O" ring is properly seated.
  - b. Coat the "O" ring with a light film of vegetable or mineral oil.
  - c. Align the cams on either side of the pump motor with the slots on the housing.



- d. Press the pump motor into the housing while twisting clockwise.
3. Check the reinstallation by trying to twist the fins counter-clockwise *without* lifting the tab; the pump motor should stay in place.

## Chapter 6: Deck Equipment

---

### Cleats and Tow Eyes

 **WARNING!**


***PERSONAL INJURY and /or PRODUCT or PROPERTY DAMAGE HAZARD!***

***NEVER*** lift the boat using the bow and stern eyes or the cleats.

Read the section on towing in the *Sport Boat Owner's Manual* **before**:

- Towing anything behind the boat.
- Being towed by another vessel.

### Ski Tow Ring

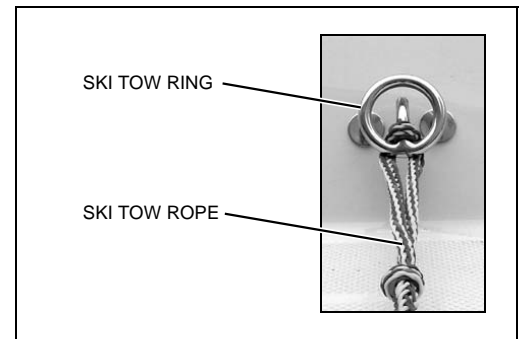
 **WARNING!**

***PERSONAL INJURY and /or PRODUCT or PROPERTY DAMAGE HAZARD!***

Failure to follow these guidelines can result in injury or death:

- ***ONLY*** tow water skis, wakeboards, or recreational towables.
- **Do NOT** tow parasails, kites, or other boats.
- **Do NOT** tow more than two persons at one time.
- **Use caution with skier in tow as tow rope may snap back into cockpit when released.**

Attach the tow rope as shown in the photo.



## Ski-Tow Tower (If Equipped)



### WARNING!

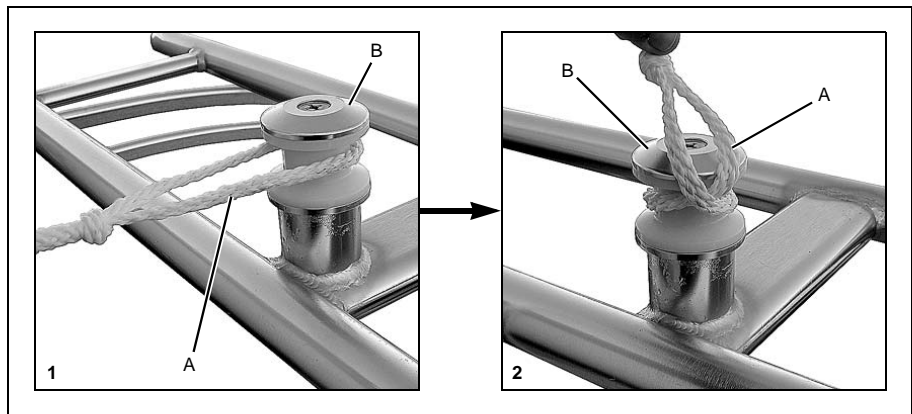
**PERSONAL INJURY and /or PRODUCT or PROPERTY DAMAGE HAZARD!**

Failure to follow these guidelines can result in injury or death:

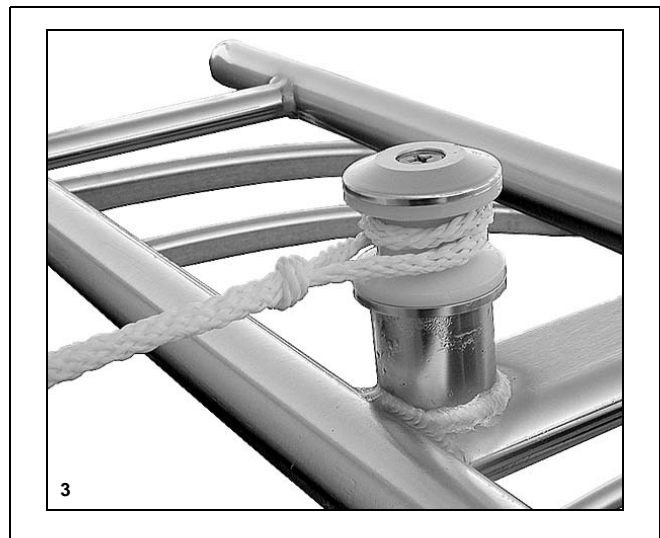
- Read **ALL** warning labels on ski-tow tower.
- **BEFORE** each use, make sure **ALL** bolts are in place and tight.
- **ONLY** tow water skis, wakeboards, or recreational towables.
- Do **NOT** exceed the *maximum* tow weight of 400 pounds.
- Do **NOT** tow parasails, kites, or other boats.
- Do **NOT** tow more than two persons at one time.
- Do **NOT** climb on, sit on, stand on, jump off or dive off tower.
- **NEVER** allow passengers to sit behind tow rope attachment point.
- Use caution with skier in tow as tow rope may snap back into cockpit when released.
- **NEVER** allow loose tow rope ends to dangle off tower.
- When tower is up, watch for low obstacles such as tree limbs, bridges, or power lines.

### Attaching the Ski-Tow Rope

1. Place the ski-tow rope loop (A) over the ski-tow pylon (B).
2. Put a twist in the ski-tow rope loop (A) and place over the ski-tow pylon (B) again.



3. Pull ski-tow rope to tighten.



## Chapter 7: Convertible Seats, Beds, & Tables

### Sleeper Seats

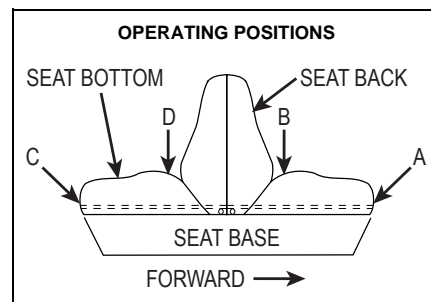
- The sleeper seats can be adjusted fore and aft in the upright, operating position.
- The seat bottoms adjust into backrests when the seats are in the lounge position.

#### Operating Positions

##### To slide the seat forward:

1. Lift the forward seat at point (A).
2. Push down on the forward seat at point (B) and pull the seat forward.
3. Lock the forward seat into the desired position by pushing down at point (A).
4. Lift the aft seat at point (C).
5. Push down on the aft seat at point (D) and push the seat forward until the aft seat back is flush against the forward seat back.
6. Lock the aft seat into position by pushing down at point (C).

To slide the seat aft, repeat the steps above, but start with the aft seat.



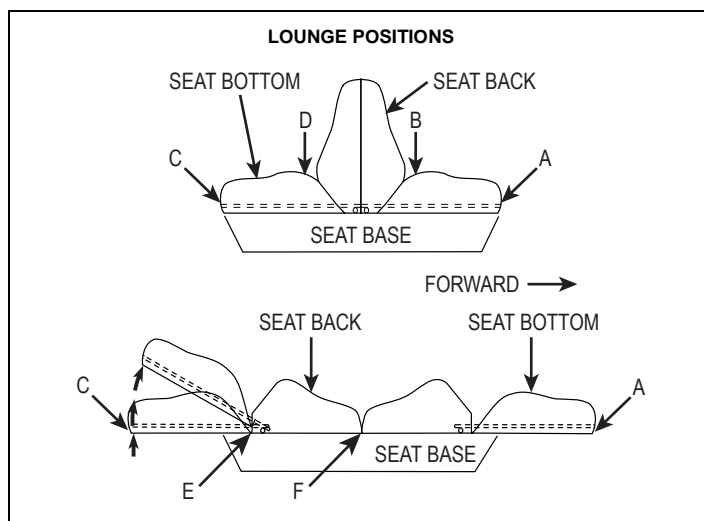
#### Lounge positions

##### To adjust into the flat lounge position:

1. Lift the forward seat at point (A).
2. Push down on the forward seat at point (B) and pull the seat forward until the seat back and bottom are flat.
3. Lift the aft seat at point (C).
4. Push down on the aft seat at point (D) and pull the seat aft until the seat back and bottom are flat.

##### To adjust into the chaise lounge position:

1. Lift up on the forward or aft seat bottom at point (A or C) and push the seat bottom down into the locked position.
2. To lower the seat bottom, lift the seat at point (A or C). Drop the seat bottom flat while holding the seat down at point (E).



##### To return the seats to the operating position:

1. Lift the seat backs at point (F) and push down on the back edge of the seat bottom (B) and then seat bottom (D).
2. Push the seat bottoms towards the center of the seat until the seat backs are flush against each other and locked into place.

## Chapter 8: Lights

---

### Care and Maintenance

All of the lights installed on your boat are of top quality, but you should be aware that failure may periodically occur for a variety of reasons:

1. There may be a blown fuse - *replace the fuse.*
2. The bulb may be burned out - *carry spare bulbs for replacement.*
3. A wire may be damaged or may have come loose - *repair as required.*
4. The bulb base may be corroded - *clean the base and coat it with non-conductive electrical lubricant.*


### Navigation Lights




 <b>CAUTION</b>
<b>Avoid the storage of gear where it would block navigation lights from view.</b>

Read the navigation light section in the *Sport Boat Owner's Manual*.




## Chapter 9: Electrical System




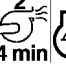


**DANGER!**

**EXTREME FIRE, SHOCK & EXPLOSION HAZARD!**


- To minimize the risks of fire and explosion, *NEVER* install knife switches or other arcing devices in the fuel compartment.
- NEVER* substitute automotive parts for marine parts. Electrical, ignition and fuel system parts were designed and manufactured to comply with rules and regulations that minimize risks of fire and explosion.
- Do *NOT* modify the electrical systems or relevant drawings.
- Have qualified personnel install batteries and/or perform electrical system maintenance.



**WARNING!**

**FIRE & EXPLOSION HAZARD!**

- Fuel fumes are heavier than air and *WILL* collect in the bilge areas where they can be accidentally ignited.
- Visually and by smell (sniff test), check the engine area for fumes or accumulation of fuel.
- ALWAYS* run the bilge blower(s) for at least four minutes prior to engine starting, electrical system maintenance or activation of electrical devices.
- NEVER* expose the batteries to open flame or sparks, and *NEVER* smoke anywhere near the batteries.


**CAUTION**



**SHOCK & ELECTRICAL SYSTEM DAMAGE HAZARD!**

When the engine is running, *NEVER* disconnect the battery cables. Doing so could cause damage to your boat's engine and/or electrical system.

### NOTICE

Electrical connections are prone to corrosion. To reduce corrosion caused electrical problems:

- Keep *ALL* electrical connections clean.
- Apply a spray-on protectant that is designed to protect connections from corrosion.

## 12-Volt DC System


### **Battery**

- The battery supplies electricity for lights, 12-volt accessories, and engine and generator starting.
- The Electrical section of Chapter 8, in the *Sport Boat Owner's Manual*, provides battery care and maintenance instructions.

### **Fuses**

- Fuses for the engine and main accessory power are on the fuse block under the helm dash.
- Some equipment may have secondary fuse protection at the unit, or at the battery.

### **12-Volt Accessory Outlet (If Equipped)**

 <b>CAUTION</b>
<b>Do NOT use the 12-volt accessory outlet with a cigarette or cigar lighter. High temperatures may melt the outlet.</b>

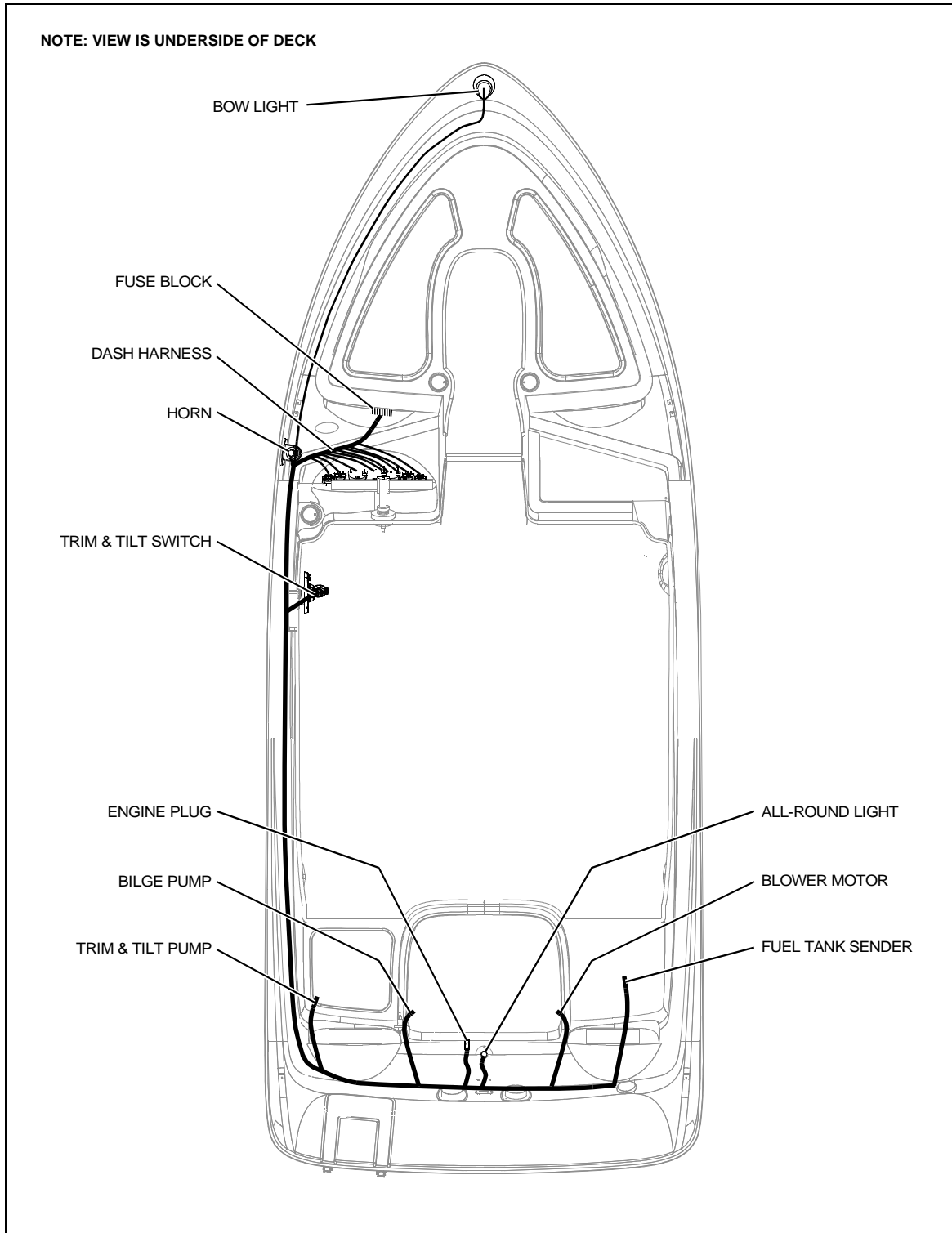
- The 12-volt accessory outlet can be used with any 12-volt device which draws 10-amps or less.
- The 12-volt accessory outlet is protected by a 10-amp fuse on the fuse block.

### **Alternator**

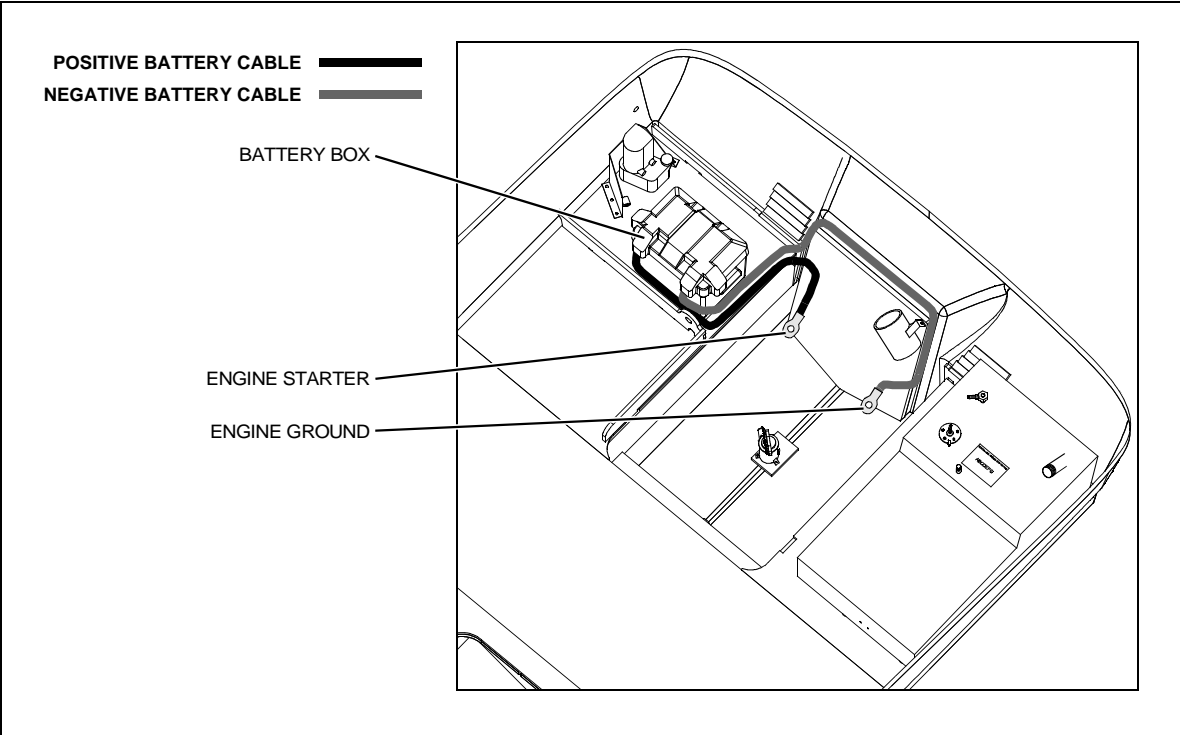
The alternator will keep the battery properly charged when the engine is running at, or above, cruising speeds.

# Electrical Routings

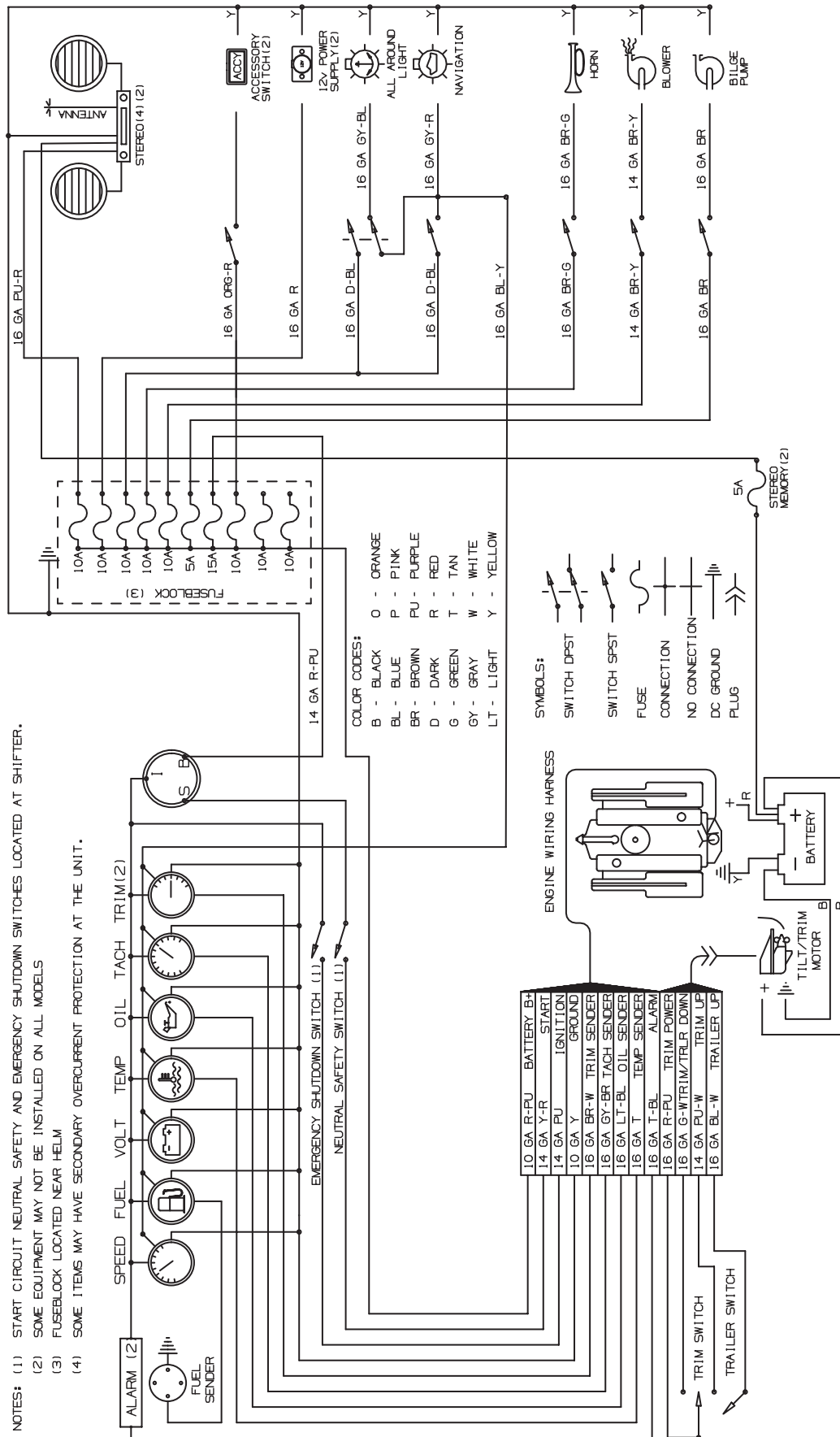
## Deck Electrical Harnesses



**Battery Cable Harness**



# Wiring Diagram



## Important Records

---

### Selling Dealer

---

Name Of Dealership

---

Address

---

Phone/FAX/E-mail

---

Sales Manager

---

Service Manager

### Engine

---

Manufacturer

---

Model Name/Number

---

Engine Serial Number

---

Oil Type/SAE

---

Quarts per Engine

---

Filter Type

### Propeller

---

Manufacturer

---

Pitch

---

Model Number

### Key Numbers

---

Ignition

---

Other

### Electronics

---

Manufacturer

---

Model Name/Number

---

Serial Number

---

Manufacturer

---

Model Name/Number

---

Serial Number

---

Manufacturer

---

Model Name/Number

---

Serial Number

---

Manufacturer

---

Model Name/Number

---

Serial Number

# Float Plan

Before going boating, fill out a copy of this float plan (or similar) and leave it with a **reliable** person whom you can depend on to contact the Coast Guard or other rescue organization, if you do not return as scheduled.

## Description of Boat

Registration/Documentation Number		
Length	Make	Type
Hull Color		Trim Color
Fuel Capacity	Engine Type	Number of Engines
Distinguishing Features		
Distinguishing Features		

## Persons on Board

Full Name		
Age	Health	Phone Number
Full Name		
Age	Health	Phone Number
Full Name		
Age	Health	Phone Number
Full Name		
Age	Health	Phone Number
Full Name		
Age	Health	Phone Number
Full Name		
Age	Health	Phone Number

## Operator of Boat

Full Name		
Male or Female	Age	Health
Address		
Address		
Phone/FAX/E-mail		
Operator's Experience		

## Survival Equipment

Marine Radio (Yes/No)	Type	Frequencies
Number of PFDs	Flares (Yes/No)	Mirror (yes or no)
Smoke Signals (Yes/No)	Flashlight (Yes/No)	Food (Yes/No)
Water (Yes/No)	Anchor (Yes/No)	Raft/Dinghy (Yes/No)
Paddles (Yes/No)	EPIRB (Yes/No)	Other
Other	Other	Other

## Vehicle Description

Make	Model
Color	License Number
Where is the Vehicle Parked?	

## Trip Expectations

Departing From	
Departure Date	Departure Time
Stopover 1	
Arrive No Later Than: Date	Arrive No Later Than: Time
Stopover 2	
Arrive No Later Than: Date	Arrive No Later Than: Time
Stopover 3	
Arrive No Later Than: Date	Arrive No Later Than: Time
Stopover 4	
Arrive No Later Than: Date	Arrive No Later Than: Time
Stopover 5	
Arrive No Later Than: Date	Arrive No Later Than: Time
Stopover 6	
Arrive No Later Than: Date	Arrive No Later Than: Time
Final Destination Port (If Different Than Home Port)	
Arrive No Later Than: Date	Arrive No Later Than: Time

If not returned by the date and time listed above, call the Coast Guard or other local authority.

Coast Guard Phone Number
Local Authority Phone Number









**Part Number 1797121**

**Bayliner • P.O. Box 9029 • Everett, WA 98206 • 360-435-5571**